



2023 CATALOG

PROFILES + EXTRUSIONS + INSERTS

Homeland: 800.999.6813 | www.Homelandvinyl.com

Availability, specification and profile dimensions are subject to change without notice. Check with your Sales Rep. before ordering.

Updated 03-24-2023

23-083- M1116-23H

Table of Contents

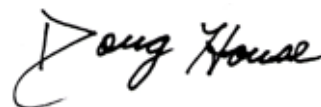
3.....	Homeland Company Statement	16.....	Gorilla Guard Rail
4.....	Item Key	19.....	Pickets
4.....	Made To Order (MTO) Program		Small Pickets 27
4.....	Declaration of Principles	23.....	Gorilla Wrap
5.....	Fabrication Guidelines	25.....	Gorilla Posts
6.....	Fence Profiles	28.....	Gorilla Columns
	Pocket Rail 7	29.....	Gorilla Deck®
	Privacy Pickets 9		Fascia Trim..... 30
	Rails 11		Gorilla Wood Deck..... 31
	U-Channel / Trim 12	32.....	Insert / Stiffeners
	Gate Brace 13	36.....	Index
	Tuf-Fence 14		
	Gorilla Fence..... 15		

IMPORTANT NOTE FROM HOMELAND MANAGEMENT:

HOMELAND HAS THE COLORS! We offer a full palette of 13 distinctive colors for even your most unique client's customization needs. We are proudly introducing a new color, Aspen Latte to our Homewood Series. We are also adding Dark Gray in privacy fence. Please contact your representative for more details. *Note* Some colors may not be available in all profiles or markets.

We are updating and revising our new 2023 catalog, keeping the interest of streamlining our order process to delivery to your fabrication facilities in mind. Our profile offerings will be reviewed each quarter to ensure we remain in step with your supply needs. This will enable us to keep ahead of manufacturing supply while reducing material lead times. The catalog will be made available online and will be updated with our most current modifications as needed.

We at Homeland Vinyl truly value our relationships with you, our loyal customers. We know the recent years have not been easy, but hopefully we've made it better together with cooperation and compromise. After a fine-tuning of processes on all sides, we're certain of a secure partnership and successful future.



HOMELAND VINYL

COMPANY STATEMENT

Homeland Vinyl Products, Inc. is dedicated to delivering high quality products and excellent service to our customers without exception. We understand the importance of our customers' success in the Fence, Deck, Railing and Outdoor Living Products markets. We value our relationships with our customers and pledge that we will operate at the highest level of integrity.

CUSTOMER ACCOUNTS

All customers are required to complete an Application for Trade Account and update it periodically. This application requires the signature of a Corporate Officer, Managing Member, Partner or Owner. Homeland Vinyl Products, Inc. only sells wholesale. Customers are required to provide a copy of their company's sales tax exemption certificate or resale certificate before any sale can be initiated. Customers are further required to provide Homeland Vinyl Products, Inc. updated sales tax exemption or resale certificates upon expiration of the initial certificate provided. Standard terms are payment in full by electronic check, wire transfer, or credit card at time of shipment. Payments can be made at HomelandVinyl.com. Customers requesting credit terms must submit financial information. Credit terms are net 30 days subject to the approval of Homeland® based on financial data provided, credit checks, and payment history. Credit terms are subject to change. Customer accounts outside of agreed terms are subject to being placed On Hold with shipments held until the account is satisfied. Accounts not paid within terms will be charged interest at the rate of 1.5% per month. Prices are subject to change without notice.

PLACING ORDERS

All orders are subject to acceptance and approval. All orders must be submitted in writing by fax or email to Homeland Vinyl Products, Inc. All product orders must be clearly identified by part number, color, detailed description, and quantity. Illegible orders will not be accepted. All orders will be confirmed in writing with the Terms and Conditions of Sale before acceptance. Confirmed orders cannot be canceled without authorization. Please contact a Homeland® Customer Service Representative for additional order information and requirements.

SHIPMENT OF ORDERS / DAMAGE OR SHORTAGES

Homeland® ships products from the factory and from distribution centers. Homeland reserves the right to ship its customers the products they ordered from any location. All prices are F.O.B. point of shipment. The customer is responsible for reviewing all order confirmations for the correct customer shipping address. Homeland strives to find the cheapest reliable shipping method for all orders. Homeland is not responsible for delays in delivery when caused by strikes, fires, accidents, Acts of God, or other forces outside of Homeland's control. Please contact a Homeland Customer Service Representative for your specific needs and additional shipping information.

All shipments received should be immediately inspected by the customer. All dents, tears, breakages, or other visible damage to both packaging materials and products should be noted on the shipping documents with a copy given to the freight carrier and a copy sent to Homeland. Damages or lost product due to shipping must be reported and claimed from the freight carrier. All claims of material shortages or damaged goods must be made within 48 hours of customer's receipt of products.

RETURNED GOODS POLICY

All returns of products must have the prior written approval of an authorized representative of Homeland®, must be for justifiable reasons, and must be within 60 days of receipt of product. Customers requesting to return products must submit in writing in advance of return a detailed list of the materials to be returned, date of purchase, invoice number, and reason for return. Custom and special order items will not be accepted for return. Do not return any items without a return authorization. All returned material must be shipped to the plant location from which the shipment originated. The material must be freight prepaid and include a list of the products returned and a copy of the Homeland return authorization. Returned products must be received by Homeland in same packaging and condition as originally sent and are subject to our Warehouse Manager's count and inspection. **Any credits issued for approved returns will be based on the invoice price of the returned products at time of purchase by customer less a restocking charge of 20%.**

LIMITED WARRANTY

Homeland® warrants that the products we manufacture are free of defects in materials and workmanship subject to the terms of our published warranties. Products distributed by Homeland, but not manufactured by Homeland, are covered under the original manufacturer's warranty. Please contact a Homeland Customer Service Representative for specific information on the warranty of the Homeland products you wish to purchase. Additional warranty information is detailed in the Terms and Conditions on the back of each invoice.

TERMS AND CONDITIONS OF SALE ARE SPECIFIED WITH ORDER CONFIRMATION AND DETAILED ON THE FRONT AND BACK OF EVERY INVOICE.

ITEM KEY EXPLANATION

COLOR CODES

W - White Y - Honey Maple D - Adobe I - Chai Gray T - Tan B - Beige
 O - Mocha Walnut U - Green Teak S - Sand G - Gray H - Ash Gray A - Aspen Latte
 L - Light Gray F - Dark Gray C - Chestnut

INVENTORY CODES

F54U	W	064	346
Profile	Color	Length	Pieces
Code	Code	in Inches	per Bundle

Refer to profile sheet to obtain the profile code for the product you are ordering. Always review your order confirmation with descriptions to ensure order accuracy.

When ordering a length that is fractional, use the following list to determine the proper code for the length you require.

1/4" - A	1/2" - B	3/4" - C	1/8" - D
3/8" - E	5/8" - F	7/8" - G	11/16" - H

Example: 64-1/2" would be 64B

MADE TO ORDER "MTO" PROGRAM

Some profiles and lengths are only available as "Made To Order" (MTO) and will only be produced as can be reasonably accommodated. Typical requirements for MTO requests are listed below but are subject to change. All MTO requests are subject to Customer Service approval and Production acceptance.

Declaration of Principles Fence, Deck, and Rail Business



Homeland Vinyl Products, Inc. is committed to the highest standards of quality in its Fence, Deck, and Rail business - both in the products it manufactures and the manner in which its business is conducted. Since Homeland's success is directly linked to the success of its customers, Homeland pledges to develop, fabricate and market innovative and successful vinyl fence, deck, and rail products.

Our commitment to our customers has three major components:

- Product Quality*
- Innovation and Leadership*
- Customer Service and Support*

Through quality, innovation, and an unwavering commitment to customer satisfaction, Homeland Vinyl Products, Inc. is building a secure and prosperous future for itself and its customers.

FABRICATION GUIDELINES

Homeland Vinyl Products does not warranty bowing of pickets.

Please make sure of proper installation to reduce all of the factors mentioned.

1. Make sure all metal stiffeners are in the correct orientation for the rail as used.
2. Make sure all rails are notched.
3. U-channel trim must be be screwed to the post to help stabilize T&G boards.
4. Do not use any clear wrapping or shrink wrap on fence for storage or transportation. Make sure any wrap or protection of the fence or profiles does not absorb and retain heat. It will cause warping.
5. Product expansion and contraction is temperature dependent and will vary more in longer lengths and darker colors. Please take this into account during installation.
6. Do not store or install product next to a heat source.
7. Avoid installing the product near reflective surfaces (e.g. glass windows and glass doors), which can concentrate sunlight and heat the product.
8. Avoid installing the product on or adjacent to concrete, asphalt, or dark-colored gravel.
9. Make sure rail ends have at least 1 inch clearance of each other when inserted into posts for 6' spans, and at least 1.5 inch clearance on 8' spans. This will allow for adequate

expansion and contraction of rails within the posts and prevent bowing.

10. Do not put dirt or mulch against rails. It could cause rails to permanently bow out.

11. CAUTION - Make sure pickets are cut for adequate clearance within the rail pocket to allow for thermal expansion. If the pickets are binding against the rail, they will cause excessive bowing with thermal expansion. When dealing with installation on slopes, ensure that there is adequate clearance for pickets inside of the rail and cut picket at a slight angle if necessary.

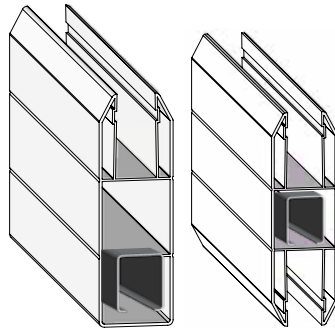
In addition to guidelines 1-11, please consider the following information regarding Homewood series of products:

1. Metal stiffeners must be used in all rails for the Homewood series of product.
2. Mid-rail or HVP approved metal picket stiffeners must be used to reduce T&G bowing.
3. Scratches will be more evident in darker colors. Use caution when transporting and installing the products.

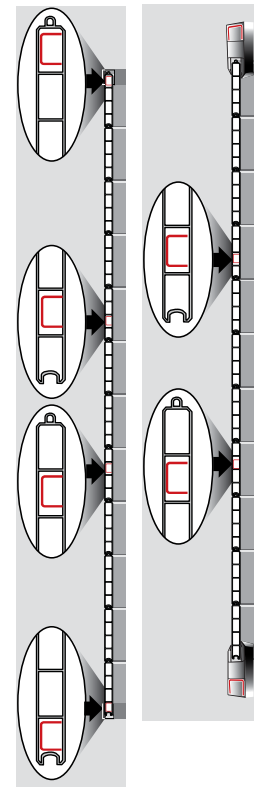
Insert Placement & Orientation

A.
Can be used for:
5-1/2", 7" and 8"
Nexus or Gorilla
Pocket Rail
& Mid-Rail

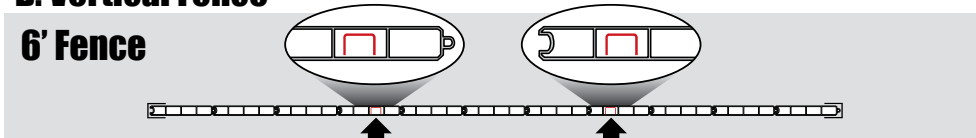
Proper steel insert orientation shown for bottom rail.
 Reverse for top rail.



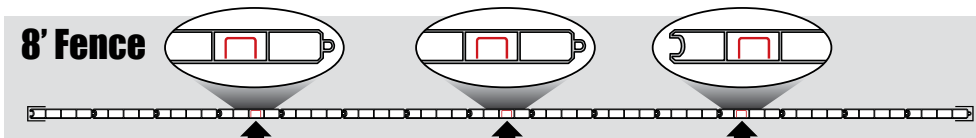
C. Horizontal Fence



B. Vertical Fence
6' Fence



8' Fence

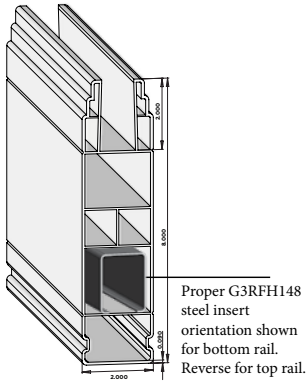


FENCE

Profiles



PRIVACY FENCE POCKET RAIL



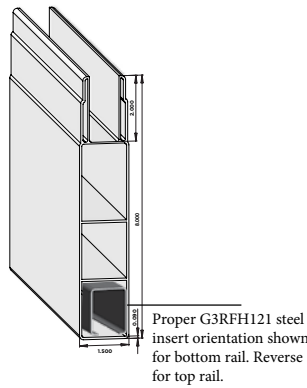
2" X 8" NEXUS® POCKET RAIL

W=White, T=Tan, D=Adobe

F3P8

2"x8" Nexus® Pocket Rail
(7/8" x 2" Pocket)
Pcs/Pallet: 55
AL - 70", 94"

**F3P8 LIMITED AVAILABILITY.
RUN ONLY ONCE OR TWICE
YEARLY.**



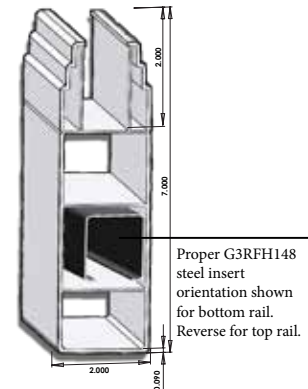
1-1/2" X 8" GORILLA® POCKET RAIL

W=White, T=Tan, D=Adobe, F= Dark Gray

F3P1

1-1/2" x 8" Gorilla® Pocket Rail
(7/8" x 2" Pocket)
Pcs/Pallet: 72 (144 UT Only)
NJ - 94"
UT - 71-1/2", 76", 83", 94", 16'
FL - 70", 94" (Stocked in FL)

**F3P1 NJ, RUN ONLY ONCE OR
TWICE YEARLY.**

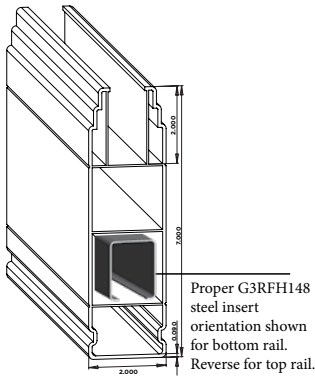


2" X 7" SUN POCKET RAIL

W=White, T=Tan, D=Adobe, G=Gray

FFS7

2" x 7" Sun Pocket Rail
(7/8" x 2" Pocket)
Pcs/Pallet: 66
NJ - 94", 12', 16'

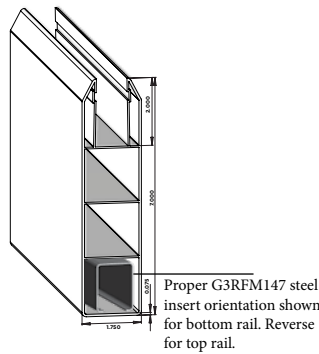


2" X 7" NEXUS® POCKET RAIL

W=White, T=Tan, D=Adobe, F= Dark Gray

F3P2

2" x 7" Nexus® Pocket Rail
(7/8" x 2" Pocket)
Pcs/Pallet: 66
AL - 70", 94", 16'
NJ - 70", 94", 16'
FL - 70", 94" (Stocked in FL)

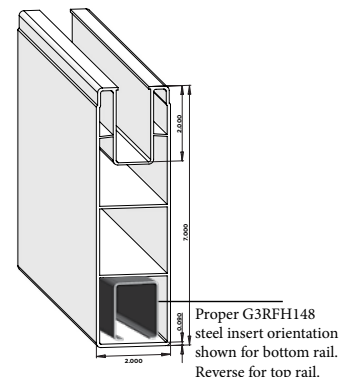


1-3/4" X 7" NEXUS® POCKET RAIL

W=White, T=Tan, D=Adobe

F3P7

1-3/4" x 7" Nexus® Pocket Rail
(7/8" x 2" Pocket)
Pcs/Pallet: 72
AL - 70", 94"
FL - 70" (Stocked in FL)



2" X 7" GORILLA® POCKET RAIL

W=White, T=Tan, D=Adobe

F3BF

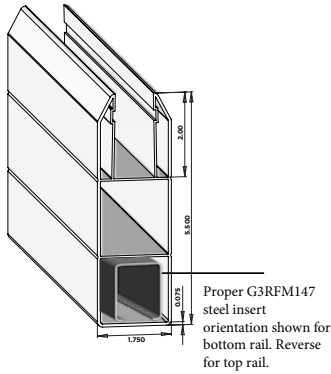
2" x 7" Gorilla® Pocket Rail
(7/8" x 2" Pocket)
Pcs/Pallet: 66

NJ - MTO

**F3BF LIMITED AVAILABILITY.
RUN ONLY ONCE OR TWICE
YEARLY.**

Availability and profile dimensions are subject to change without notice. Check with manufacturer before ordering.
All dimensions are subject to manufacturer's tolerances. Nexus is a registered trademark of Homeland Vinyl Products, Inc.
Gorilla is a registered trademark of Homeland Vinyl Products, Inc. **Only runs once or twice yearly.

PRIVACY FENCE
POCKET RAIL



1-3/4" X 5-1/2"
NEXUS® POCKET RAIL

W=White, T=Tan, D=Adobe, F= Dark Gray

F3P5

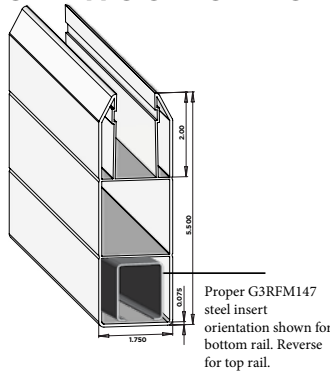
1-3/4" x 5-1/2" Nexus' Pocket Rail
(7/8" x 2" Pocket)

Pcs/Pallet: 98

AL - 70", 94", 16'

Note: 16' Insert Required Separately

HOMEWOOD OPTION



1-3/4" X 5-1/2"
NEXUS® POCKET RAIL

HOMEWOOD OPTION F3P5 ONLY

O=Mocha Walnut, A=Aspen Latte,
I=Chai Gray,, U=Green Teak

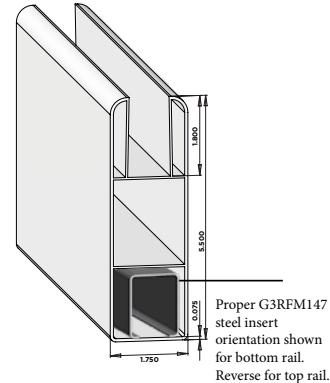
F3P5

Pcs/Pallet: 98

AL - 94" (With Steel Inserted),
16' (Insert Required Separately)

UT - 71-1/2" (With Steel Inserted)

Note: 16' Insert Required Separately



1-3/4" X 5-1/2"
GORILLA® POCKET RAIL

W=White, T=Tan, D=Adobe, F = Dark Gray

F37C

1-3/4" x 5-1/2" Gorilla' Pocket Rail
(7/8" x 1 3/4" Pocket)

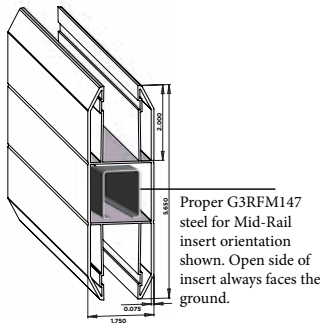
Pcs/Pallet: 98

AL - 70", 94", 16'

NJ - 70", 94", 16'

FL - 70", 94"

UT - 94", 16'



1-3/4" X 5-1/2"
NEXUS® MID-RAIL

W=White, T=Tan, D=Adobe, F = Dark Gray

F3PM

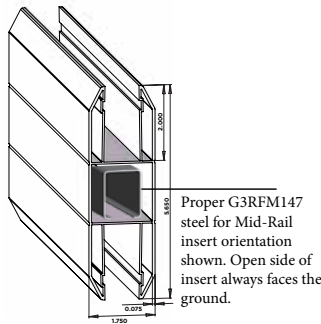
1-3/4" x 5-1/2" Nexus' Mid-Rail
(7/8" x 2" Pocket)

Pcs/Pallet: 98

AL - 70", 16'

Note: 16' Insert Required Separately

HOMEWOOD OPTION



1-3/4" X 5-1/2"
NEXUS® MID-RAIL

HOMEWOOD OPTION F3PM ONLY

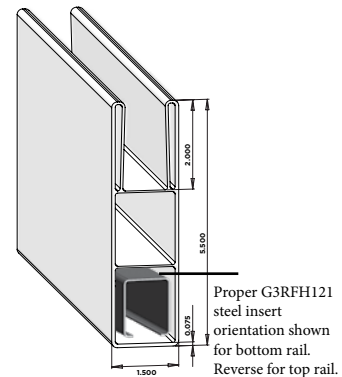
O=Mocha Walnut, A=Aspen Latte,
I=Chai Gray,, U=Green Teak, F= Dark Gray

F3PM

Pcs/Pallet: 98

AL - 94" (With Steel Inserted),
16' (Insert Required Separately)

UT - 71-1/2" (With Steel Inserted),
16' (Insert Required Separately)



1-1/2" X 5-1/2" GORILLA®
POCKET RAIL

W=White, T=Tan

F32G

1-1/2" x 5-1/2" Gorilla' Pocket Rail
(7/8" x 2" Pocket)

Pcs/Pallet: 114 (228 UT Only)

AL - 70", 94", 16'

UT - 71-1/2", 76", 83", 94", 16'

TX - 71-1/2", 76", 83", 94", 16'

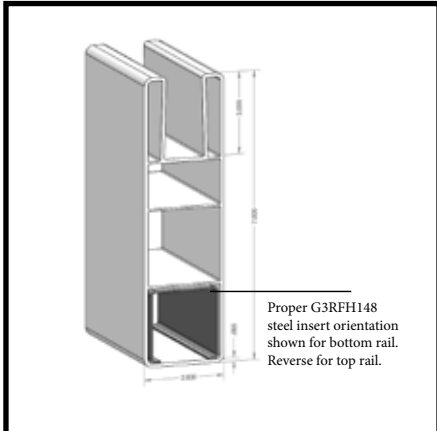
Note: 16' Insert Required Separately

Availability and profile dimensions are subject to change without notice. Check with manufacturer before ordering.

All dimensions are subject to manufacturer's tolerances. **Only runs once or twice yearly.

Gorilla® is a registered trademark of Homeland Vinyl Products, Inc. Nexus® is a registered trademark of Homeland Vinyl Products, Inc.

PRIVACY FENCE POCKET RAIL • PRIVACY PICKETS

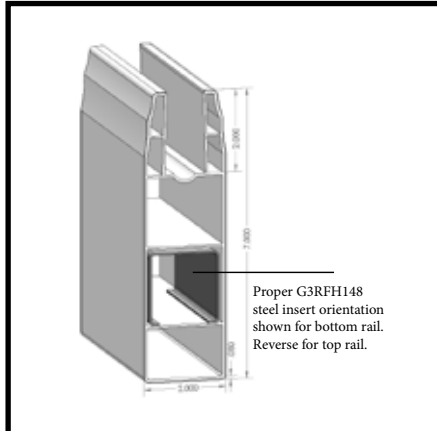


2" X 7" HOMETOWN POCKET RAIL

W=White, T=Tan

F3HT

2"x 7" Hometown Pocket Rail
(7/8" x 2" Pocket)
Pcs/Pallet: 64
NJ - 70", 94", 16'



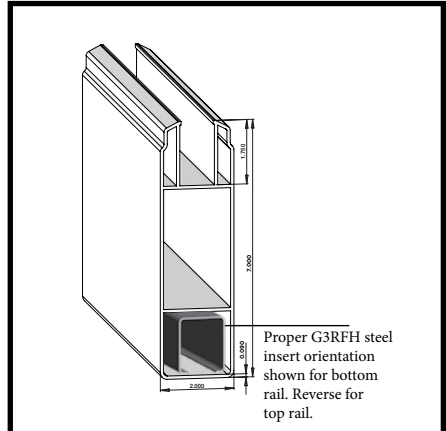
2" X 7" MAJESTIC POCKET RAIL

W=White, T=Tan

F3MJ

2"x 7" Majestic Pocket Rail
(7/8" x 2" Pocket)
Pcs/Pallet: 66

NJ - MTO



2" X 7" KEYSTONE WEST POCKET RAIL

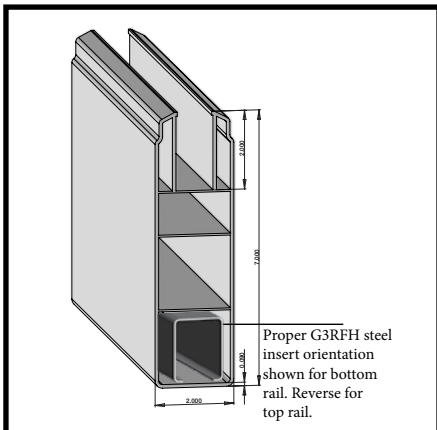
W=White, T=Tan

FKW7

2"x 7" Keystone West Pocket Rail
(7/8" x 1 3/4" Pocket)
Pcs/Pallet: 66

UT - 94", 16' (WHITE & TAN ONLY)

FKW7 HOMEWOOD OPTIONS
NOT AVAILABLE



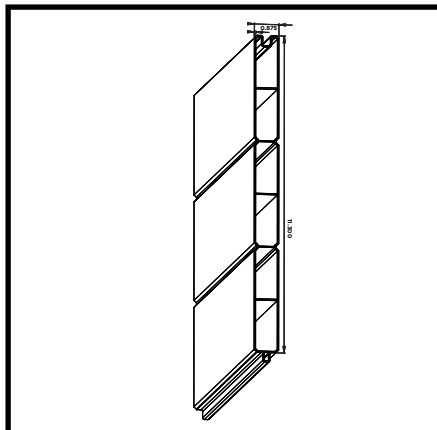
2" X 7" KEYSTONE EAST POCKET RAIL

W=White, T=Tan, D=Adobe

FKE7

2"x 7" Keystone East Pocket Rail
(7/8" x 2" Pocket)
Pcs/Pallet: 66
AL - 94", 16' (WHITE & TAN ONLY)

FKE7 LIMITED AVAILABILITY.
RUN ONLY ONCE OR TWICE
YEARLY.

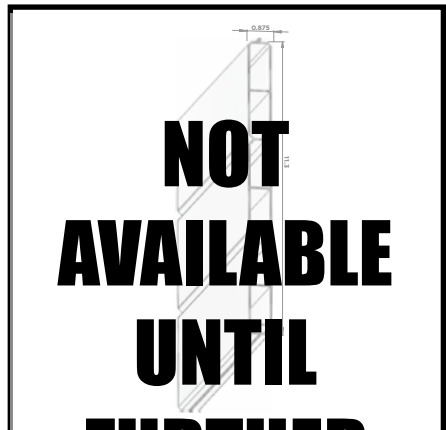


7/8" X 11.3" GORILLA® T&G

W=White, T=Tan, D=Adobe

F61S

7/8" x 11.3" Gorilla® T&G
Pcs/Pallet: 200 / 100
UT - 55-1/4", 60-1/4", 62-1/4", 64",
16' (100 Pcs/Pallet)



7/8" X 11.3" GORILLA® LOCKING PICKET

F61L

7/8" x 11.3" Gorilla® Locking Picket
Pcs/Pallet: 100
UT - 60-1/4", 62-1/4", 16'

F61L LIMITED AVAILABILITY.
RUN ONLY ONCE OR TWICE
YEARLY.

Availability and profile dimensions are subject to change without notice. Check with manufacturer before ordering.

All dimensions are subject to manufacturer's tolerances. **Only runs once or twice yearly.

Gorilla® is a registered trademark of Homeland Vinyl Products, Inc. Nexus® is a registered trademark of Homeland Vinyl Products, Inc.

HOMELAND VINYL PRODUCTS, Inc.

23-083- M1116-23H

Homeland Profiles: 800.999.6813 | www.Homelandvinyl.com

PRIVACY FENCE
PRIVACY PICKETS



NOT AVAILABLE UNTIL FURTHER NOTICE!

7/8" X 6" GORILLA® T&G

F62S
7/8" x 6" Gorilla® T&G
Pcs/Pallet: 148 (16'),
Shorter Lengths, 292
AL - 60", 61"
NJ - 60", 61", 16'

F62S LIMITED AVAILABILITY.
RUN ONLY ONCE OR TWICE YEARLY.



7/8" X 6" GORILLA® T&G

W=White, T=Tan, D=Adobe, G=Gray, F = Dark Gray

F54G
7/8" x 6" Gorilla® T&G
Pcs/Pallet: 178 (16'),
Shorter Lengths, 346
AL - 42-1/2", 48", 52", 57-1/2", 59-1/2", 61",
62-1/4", 64",
66-1/2", 69-1/2", 70", 16'
NJ - 48", 52", 57-1/2", 59-1/2", 61", 62-1/4",
64", 16'
UT - 47-1/4", 55-1/4", 59-1/4", 60-1/4",
62-1/4", 72", 16'
FL - 42-1/2", 62-1/4", 16'
TX - 42-1/2", 55-1/4", 59-1/4", 60-1/4", 62-1/4",
16' (W & T only)

HOMEWOOD OPTION



7/8" X 6" GORILLA® T&G

HOMEWOOD OPTION F54C ONLY
O=Mocha Walnut, A=Aspen Latte,
I=Chai Gray, U=Green Teak

F54C
7/8" x 6" Homewood® T&G
Pcs/Pallet: 178 (16')
AL - 30-1/2", 62-1/4", 64, 66-1/2", 70", 16'
UT - 30-1/2", 60-1/4", 64, 66-1/2", 70", 16'



NOT AVAILABLE UNTIL FURTHER NOTICE!

7/8" X 6" GORILLA® DECORATIVE LOCKING PICKET

F54D
7/8" x 6" Gorilla® Decorative Locking Picket

Pcs/Pallet: 178 (16'),
Shorter Lengths, 346
AL - 59-1/2", 62-1/4"
NJ - 35-1/2", 47-1/2", 59-1/2", 62-1/4", 83-1/2", 16'

F54D LIMITED AVAILABILITY.
RUN ONLY ONCE OR TWICE YEARLY.



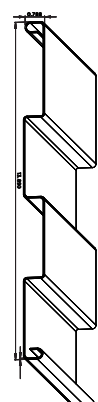
7/8" X 6" GORILLA® LOCKING PICKET

W=White, T=Tan, D=Adobe

F54L
7/8" x 6" Gorilla® Locking Picket

Pcs/Pallet: 178 (16'),
Shorter Lengths, 346
AL - 59-1/2", 62-1/4", 16'
NJ - 48", 59-1/2", 62-1/4", 16'

F54L LIMITED AVAILABILITY.
RUN ONLY ONCE OR TWICE YEARLY.



7/8" X 14" GORILLA® PRIVACY NO EMOSS PANEL

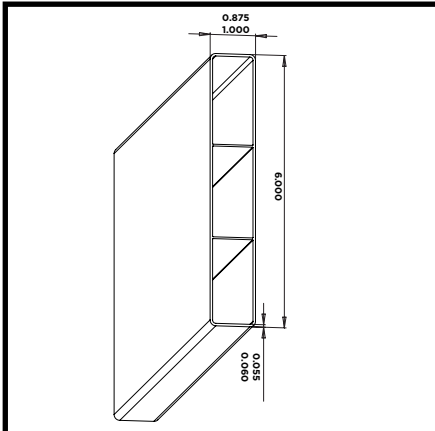
W=White, T=Tan, D=Adobe, S = Sand

F55B
7/8" x 14" Gorilla® Privacy No Emboss Panel
Pcs/Pallet: 96Pcs @ 12'6"
180 Pcs Cut length

AL - 29", 64", 12'6"

F55B LIMITED AVAILABILITY.
RUN ONLY ONCE OR TWICE YEARLY.

PRIVACY FENCE PRIVACY PICKETS , RAILS

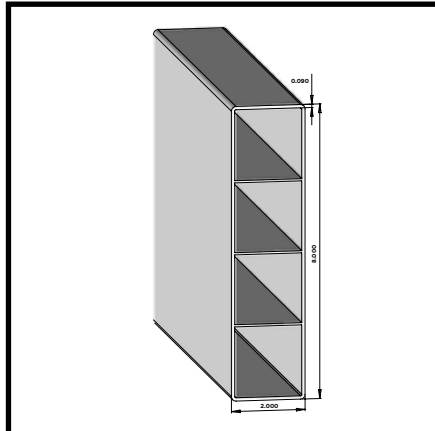


7/8" X 6" RIBBED STANDARD

W=White, T=Tan, D=Adobe

F56R

7/8"x6" Ribbed Standard
Pcs/Pallet: 178
AL - 69-1/2" 12', 16'
NJ - 16' (Stocked In NJ - White & Tan)
UT - 16'
FL - 69-1/2", 16' (Stocked in FL)



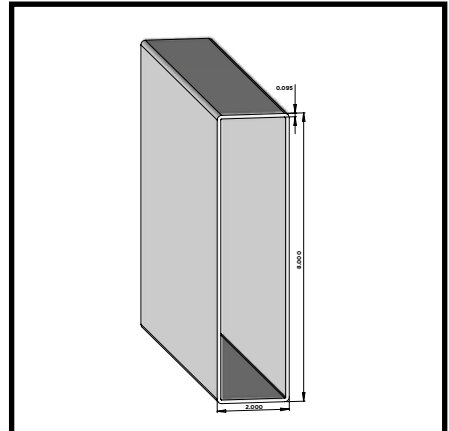
2" X 8" RIBBED RAIL

W=White, T=Tan, D=Adobe

F20R

2"x8" Ribbed Rail
Pcs/Pallet: 66
AL - 16', 24'

**F20R LIMITED AVAILABILITY.
RUN ONLY ONCE OR TWICE
YEARLY.**

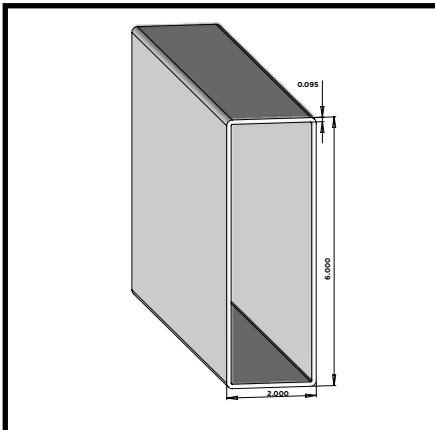


2" X 8" HOLLOW RAIL

W=White, T=Tan, D=Adobe

F20S

2" X 8" Hollow Rail
Pcs/Pallet: 66
AL - 16', 24'

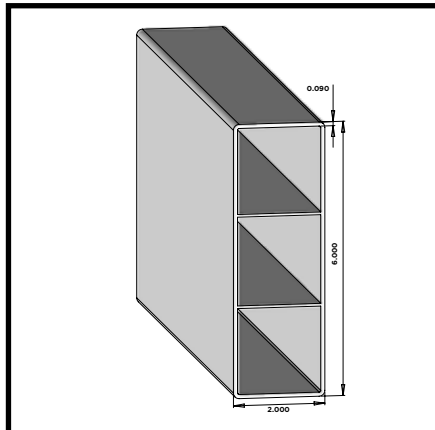


2" X 6" HOLLOW RAIL

W=White, T=Tan, D=Adobe

F22E

2"x6" Hollow Rail
Pcs/Pallet: 88
AL - 16', 24'

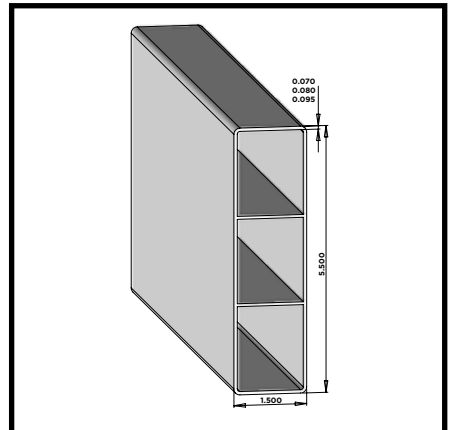


2" X 6" RIBBED RAIL

W=White, T=Tan, D=Adobe

F22C

(0.090 wall)
2"x6" Ribbed Rail
Pcs/Pallet: 88
AL - 94", 12', 16'
NJ - 8', 94", 16' (Stocked In NJ - White & Tan)
UT - 12', 16'
FL - 16' (Stocked in FL - White & Tan)



1-1/2" X 5-1/2" RIBBED RAIL (UTILITY & UTILITY VALUE)

W=White, T=Tan, D=Adobe

F27E (0.080 Wall)

1-1/2" x 5-1/2" Ribbed Utility Rail
Pcs/Pallet: 114
AL - 94", 16'
UT - 16'
TX - 94", 16'

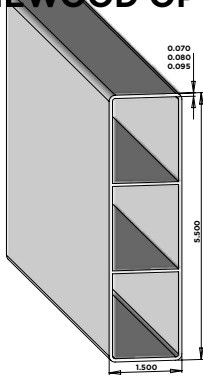
F27M (0.070 Wall)

1-1/2" x 5-1/2" Utility Value Rail (Color Inside)
Pcs/Pallet: 114
AL - 16'
UT - 16'
FL - 16' (Stocked in FL)
TX - 16'

Availability and profile dimensions are subject to change without notice. Check with manufacturer before ordering.
All dimensions are subject to manufacturer's tolerances. **Only runs once or twice yearly.
Gorilla is a registered trademark of Homeland Vinyl Products, Inc.

PRIVACY FENCE
RAILS • U-CHANNEL • TRIM CHANNEL

HOMELAND OPTION

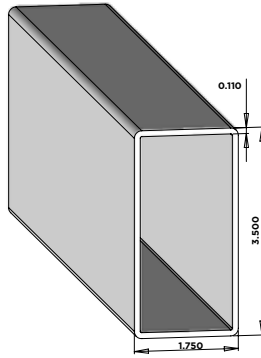


1-1/2" X 5-1/2" RIBBED RAIL

HOMELAND OPTION F27C ONLY
O=Mocha Walnut, A=Aspen Latte,
I=Chai Gray,, U=Green Teak, F= Dark Gray

F27C (0.095 Wall)
1-1/2" x 5-1/2" Ribbed Rail
Pcs/Pallet: 114
AL - 16'
UT - 16'
Steel insert required in each rail

F27C LIMITED AVAILABILITY.
RUN ONLY ONCE OR TWICE
YEARLY.



1-3/4" X 3-1/2" HOLLOW STANDARD

W=White, T=Tan, D=Adobe

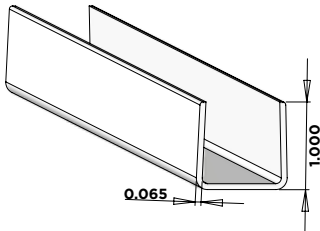
F25B (0.110 wall)
1-3/4" x 3-1/2" Hollow Standard Rail
Pcs/Pallet: 156
AL - 12', 16'
UT - 12', 16'
FL - 12' (Stocked in FL)

NOT AVAILABLE UNTIL FURTHER NOTICE!

1-1/2" X 2-3/4" STANDARD RAIL

F23S (0.095 Wall)
1-1/2" x 2-3/4" Standard Rail
Pcs/Pallet: 224
AL - MTO

F23S LIMITED AVAILABILITY.
RUN ONLY ONCE OR TWICE
YEARLY.

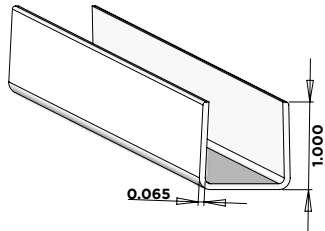


7/8" U-CHANNEL STANDARD

W=White, T=Tan, D=Adobe, F= Dark Gray

F83S
7/8" U-Channel Standard
Pcs/Box: 64 (10' 2")
(Shorter lengths
1280 Pcs/Pallet)
AL - 10'2", 60-7/8"
NJ - 10'2" (Stocked In NJ)
UT - 10'2" (Stocked In UT)
TX - 10'2" (Stocked in TX, W & T only)

HOMELAND OPTION

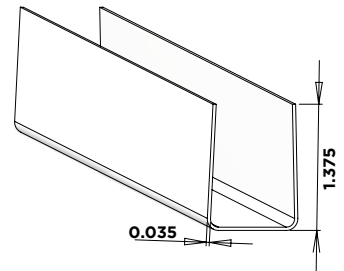


7/8" U-CHANNEL STANDARD

HOMELAND OPTION F83S ONLY
O=Mocha Walnut, A=Aspen Latte,
I=Chai Gray,, U=Green Teak

F83S
Pcs/Pallet: 64
AL - 10'2"
UT - 10'2"- (Stocked In UT)

- NO MTO



7/8" TRIM CHANNEL

W=White, T=Tan, D=Adobe, G=Gray

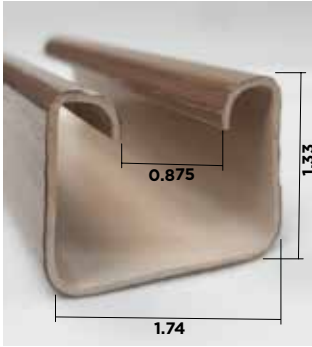
F83U
7/8" Trim Channel
Pcs/Box: 60 (10' 2")
(Shorter lengths
840 Pcs/Pallet)
AL - 10'2", 58-3/4", 59-1/4", 60-7/8"
NJ - 58", 58-3/4", 60-7/8", 10'2" (Stocked In NJ)
TN - 10'2", 58-3/4", 59-1/4", 60-7/8"
UT - 10'2", 52", 57", 58-3/4", 59" (Stocked In UT)
FL - 58-3/4", 59", 59-1/4" (Stocked in FL)
TX - 59" (Stocked in TX, W & T only)

- NO MTO

Availability and profile dimensions are subject to change without notice. Check with manufacturer before ordering.
All dimensions are subject to manufacturer's tolerances. **Only runs once or twice yearly.
Gorilla® is a registered trademark of Homeland Vinyl Products, Inc.

PRIVACY FENCE

TRIM CHANNEL • GATE BRACE • LATTICE CHANNEL

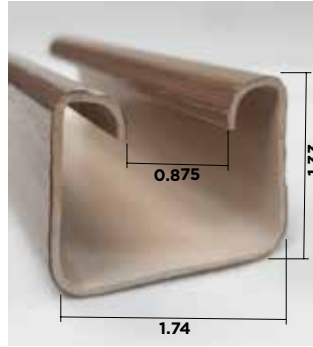


GORILLA® PICKET CHANNEL

W=White, T=Tan, D=Adobe, F=Dark Gray

FTG4
Gorilla Picket Channel
Pcs/Box: 40 Box
AL - 72"

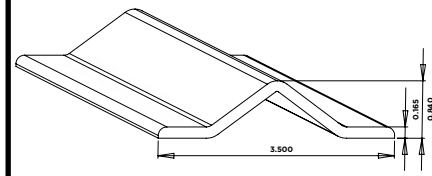
HOMEWOOD OPTION



GORILLA® PICKET CHANNEL

HOMEWOOD OPTION FTG4 H
O=Mocha Walnut, A=Aspen Latte,
I=Chai Gray,, U=Green Teak

FTG4
Pcs/Pallet: 40 Box
AL - 72"
UT - 72"- (Stocked In UT)

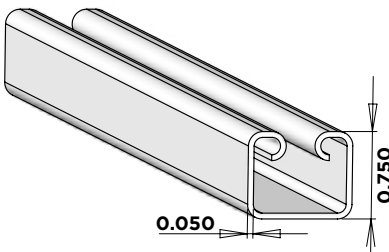


- NO MTO

GATE SUPPORT BRACE

W=White, T=Tan, D=Adobe, F=Dark Gray

F86S (0.165 wall)
Gate Support Brace
Bundled: 240 pcs
Boxed: 24 pcs
AL - 8' (Bundled), 12' (Box)
FL - 8' (Bundled) (Stocked in FL)
TN - 8' (Bundled)
UT - 8' (Bundled) (Stocked in UT)
TX - 8' (Bundled) (Stocked in TX, W & T only)



- NO MTO

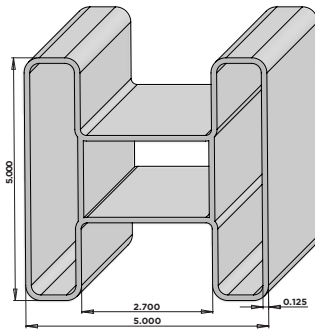
3/4" LATTICE CHANNEL

W=White, T=Tan, D=Adobe

F89S (0.050 wall)
3/4" Lattice Channel
Pcs/Box: 60
AL - 8'

Availability and profile dimensions are subject to change without notice. Check with manufacturer before ordering.
All dimensions are subject to manufacturer's tolerances.
**Only runs once or twice yearly.

FENCE
TUF-FENCE®

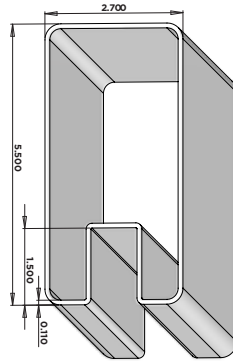


TUF-FENCE® H-POST

D=Adobe Only

FT01
Tuf-Fence®
H-Post
AL - 9'

FT01 LIMITED AVAILABILITY.
RUN ONLY ONCE OR TWICE
YEARLY.

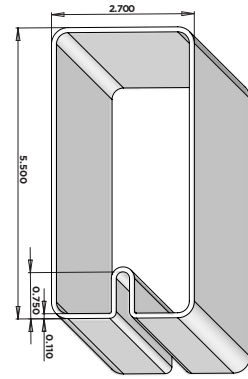


TUF-FENCE® POCKET RAIL

D=Adobe Only

FT12
Tuf-Fence®
Pocket Rail
AL - 96.25"

FT12 LIMITED AVAILABILITY.
RUN ONLY ONCE OR TWICE
YEARLY.

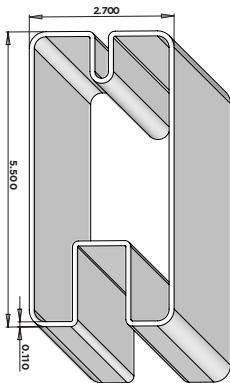


TUF-FENCE® LATTICE
TOP RAIL

D=Adobe Only

FT13
Tuf-Fence®
Lattice Top Rail
AL - 96.25"

FT13 LIMITED AVAILABILITY.
RUN ONLY ONCE OR TWICE
YEARLY.

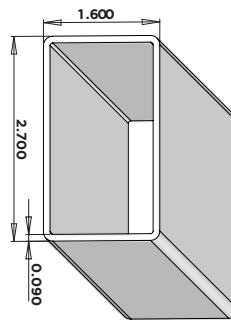


TUF-FENCE® MID-RAIL

D=Adobe Only

FT11
Tuf-Fence®
Mid-Rail
AL - 96.25"

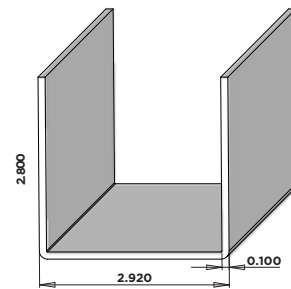
FT11 LIMITED AVAILABILITY.
RUN ONLY ONCE OR TWICE
YEARLY.



TUF-FENCE® H-POST
INSERT

D=Adobe Only

FT02
Tuf-Fence®
Insert for H-Post
AL - 8'



TUF-FENCE® U-CHANNEL
(LONG LEG)

D=Adobe Only

FT03
Tuf-Fence®
U-Channel (Long Leg)
AL - 8'

Availability and profile dimensions are subject to change without notice. Check with manufacturer before ordering.
All dimensions are subject to manufacturer's tolerances.
**Only runs once or twice yearly.

FENCE GORILLA® FENCE

**5" X 5" GORILLA®
H-POST**

W=White, D=Adobe, F=Dark Gray

FTG1 (0.115 wall)
5" x 5" Gorilla®
H-Post
AL - 9'

**FTG1 LIMITED AVAILABILITY.
RUN ONLY ONCE OR TWICE
YEARLY.**

HOMEWOOD OPTION

**5" X 5" GORILLA®
H-POST**

HOMEWOOD OPTION FTG1
O=Mocha Walnut, A=Aspen Latte,
I=Chai Gray,, U=Green Teak

FTG1
AL - 9'

**1-1/2 GORILLA® POST
INSERT**

W=White, D=Adobe, f=Dark Gray

FTG2 (0.070 wall)
1-1/2 Gorilla®
Post Insert
AL - 8'

**FTG2 LIMITED AVAILABILITY.
RUN ONLY ONCE OR TWICE
YEARLY.**

HOMEWOOD OPTION

**1-1/2 GORILLA® POST
INSERT**

HOMEWOOD OPTION FTG2
O=Mocha Walnut, A=Aspen Latte,
I=Chai Gray,, U=Green Teak

FTG2
AL - 8'

**1-3/4 GORILLA® FENCE
U-CHANNEL**

W=White, D=Adobe, F=Dark Gray

FTG3 (0.110 wall)
1-3/4 Gorilla®
Fence U-Channel
AL - 8'

**FTG3 LIMITED AVAILABILITY.
RUN ONLY ONCE OR TWICE
YEARLY.**

HOMEWOOD OPTION

**1-3/4 GORILLA® FENCE
U-CHANNEL**

HOMEWOOD OPTION FTG3
O=Mocha Walnut, A=Aspen Latte,
I=Chai Gray,, U=Green Teak

FTG3
AL - 8'

Availability and profile dimensions are subject to change without notice. Check with manufacturer before ordering.
All dimensions are subject to manufacturer's tolerances.
*Limited availability, Check with customer service.
**Only runs once or twice yearly.

GORILLA® GUARD RAIL

Profiles

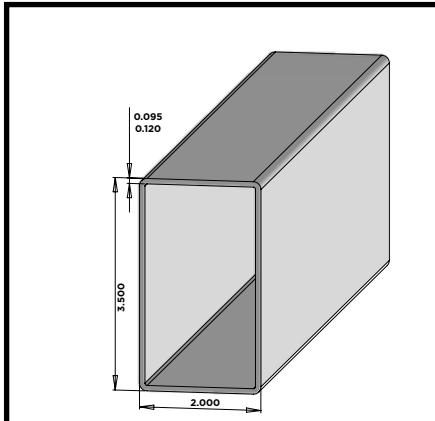


Gorilla® is a trademark of Homeland Vinyl Products, Inc.



GORILLA™ GUARD RAIL

SUMMIT® 2x3-1/2, T- RAIL, CONTOUR

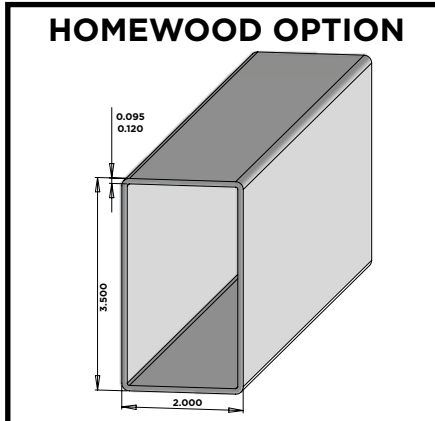


2" X 3-1/2" HOLLOW UTILITY RAIL

W=White, T=Tan, D=Adobe, G=Gray, F=Dark Gray

F24C (0.120 Wall)
2"x3-1/2" Hollow Standard Rail
Pcs/Pallet: 143
AL - 6', 8', 16', 24'
UT - 6', 8', 12', 16'
TN - 6', 8', 16', 24'

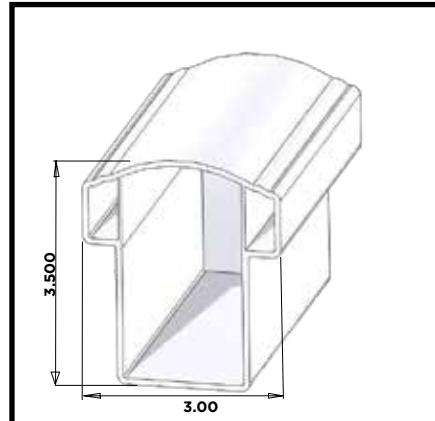
F24E (0.095 Wall)
2"x3-1/2" Hollow Utility Rail
Pcs/Pallet: 143
AL - 6', 94", 8', 10', 16', 24'
UT - 8', 12', 16'
FL - 6', 8' (Stocked in FL)
TN - 6', 94", 8', 10', 16', 24'
TX - 6', 8', 16'
(Stocked in TX, W & T only)



2" X 3-1/2" HOLLOW UTILITY RAIL

HOMEWOOD OPTION F24E ONLY
O=Mocha Walnut, A=Aspen Latte,
I=Chai Gray,, U=Green Teak

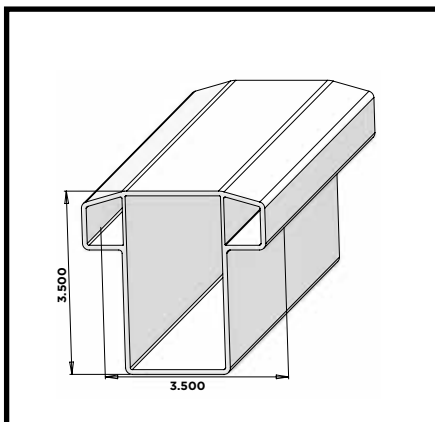
F24E (0.095 Wall)
2"x3-1/2" Hollow Utility Rail
Pcs/Pallet: 143
AL - 16'
UT - 12'



3" CONTOUR RAIL

W=White, T=Tan, D=Adobe

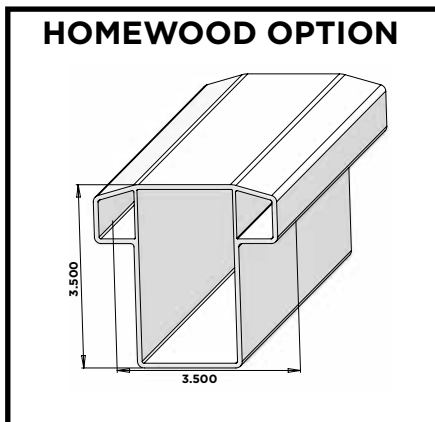
F36S (0.095 wall)
3" Contour Rail
Pcs/Pallet: 102
AL - 6', 8', 10', 24', 16'



3-1/2" GORILLA® T-RAIL

W=White, T=Tan, D=Adobe

F35C (0.090 wall)
3-1/2" Gorilla® T-Rail
Pcs/Pallet: 90
AL - 6', 8', 10', 16'
TN - 6', 8', 10', 16'



3-1/2" GORILLA® T-RAIL

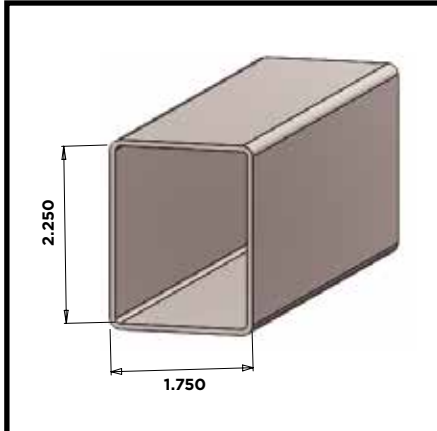
HOMEWOOD OPTION F35C ONLY
O=Mocha Walnut

F35C - (0.095 wall)
3-1/2" Gorilla® T-Rail
Pcs/Pallet: 90
AL - 16'

See ESR-1657 report for detailed applications. Check local building codes in your area.
Availability and profile dimensions are subject to change without notice. Check with manufacturer before ordering.
All dimensions are subject to manufacturer's tolerances.
*Limited availability, Check with customer service.

GORILLA™ GUARD RAIL

NEXUS® 1-3/4 x 2-1/4 • 4-1/2 GORILLA® RAIL • PALISADE RAIL • PALISADE RAIL

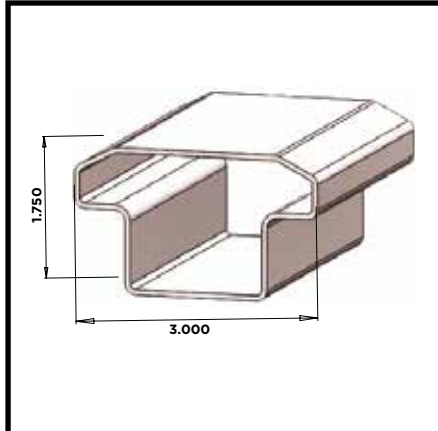


1-3/4" X 2-1/4" NEXUS®

W=White, T=Tan, D=Adobe

F3PB (0.065 wall)
1-3/4" x 2-1/4" Nexus' Rail

Pcs/Pallet: 216
TN - 71-3/8", 95-3/8", 119-3/8"

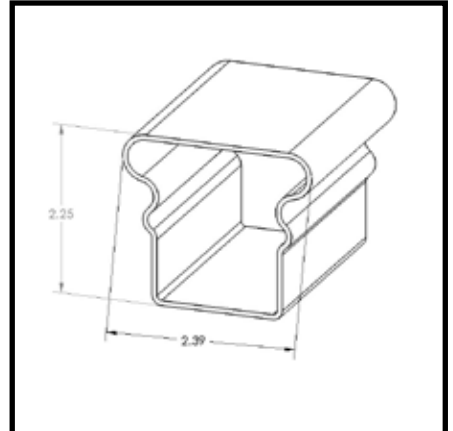


1-3/4" NEXUS® 1 T-RAIL

W=White, T=Tan, D=Adobe

F34C (0.065 wall)
1-3/4" Nexus' 1 T-Rail

Pcs/Pallet: 216
TN - 71-3/8", 95-3/8", 119-3/8"

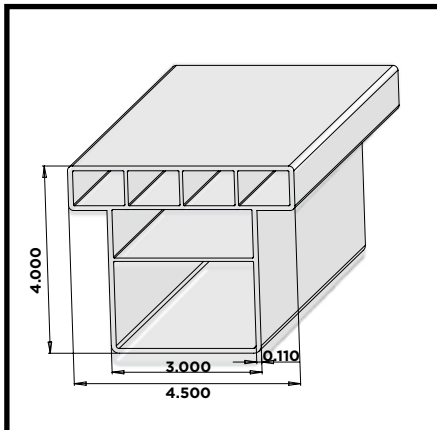


1-3/4" NEXUS® 2 T-RAIL

W=White, T=Tan, D=Adobe

F3N2 (0.065 wall)
1-3/4" Nexus' 2 T-Rail

Pcs/Pallet: 216
TN - 71-3/8", 95-3/8", 119-3/8"

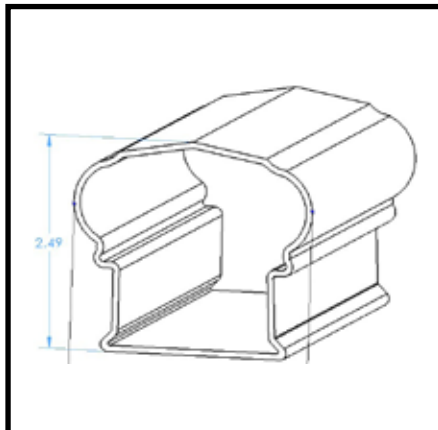


4-1/2" GORILLA® RAIL

W=White, T=Tan, D=Adobe

FTB (0.110 wall)
4-1/2" Gorilla' Rail
Pcs/Pallet: 66
AL - 24'

FTB LIMITED AVAILABILITY.
RUN ONLY ONCE OR TWICE
YEARLY.

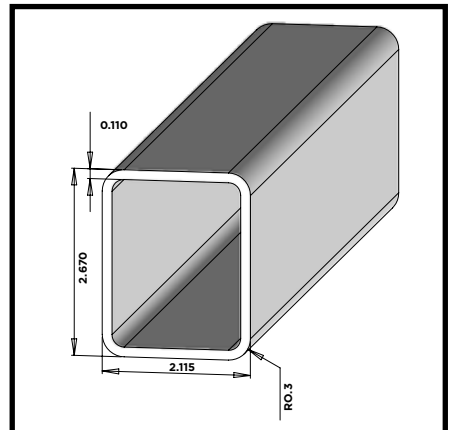


PALISADE RAIL

W=White, T=Tan, D=Adobe

FHP1 (0.070 wall)
Palisade Rail
Pcs/Pallet: 136
AL - 6', 8', 10' MTO

FHP1 LIMITED AVAILABILITY.
RUN ONLY ONCE OR TWICE
YEARLY.



2-1/8" X 2-3/4" STANDARD RAIL

W=White, T=Tan, D=Adobe

F26S (0.110 wall)
2-1/8" x 2-3/4" Standard Rail
Pcs/Pallet: 170
AL - 12', 16'

See ESR-1657 report for detailed applications. Check local building codes in your area.

Availability and profile dimensions are subject to change without notice. Check with manufacturer before ordering.

All dimensions are subject to manufacturer's tolerances.

*Limited availability, Check with customer service.

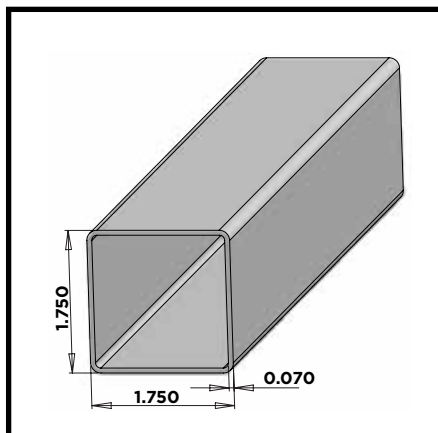
**Only runs once or twice yearly.

Pickets

Profiles



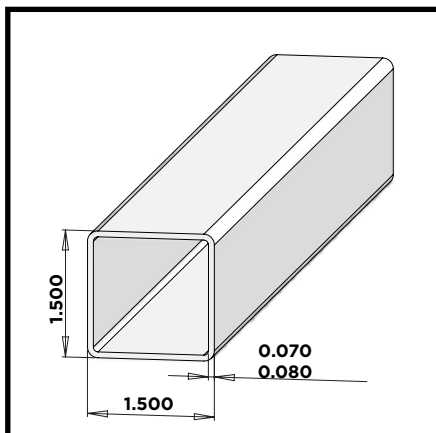
FENCE/GUARD RAIL SMALL PICKETS



**1-3/4" X 1-3/4"
STANDARD PICKETS**

W=White, T=Tan, D=Adobe

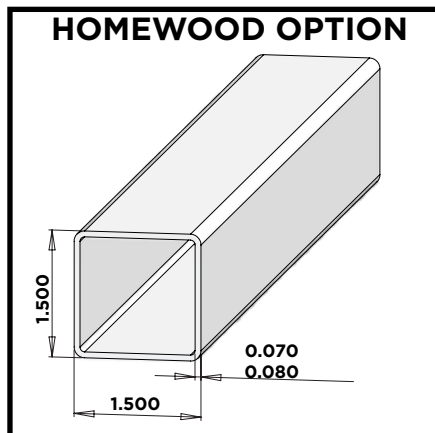
F41S (0.070 Wall)
1-3/4" x 1-3/4" Standard Pickets
Pcs/Pallet: 312
AL - 16'



**1-1/2" X 1-1/2"
STANDARD PICKETS**

W=White, T=Tan, D=Adobe, G=Gray

F42S (0.070 Wall)
1-1/2" x 1-1/2" Standard Pickets
Pcs/Pallet: 450 pcs. (Other Sizes 900)
AL - 16' (Stocked in AL)
TN - 30-1/2", 31", 32", 38", 43-1/8",
10', 12', 16'
UT - 16' (Stocked in UT)
FL - 16' (Stocked in FL)
TX - 16' (Stocked in TX, W & T only)

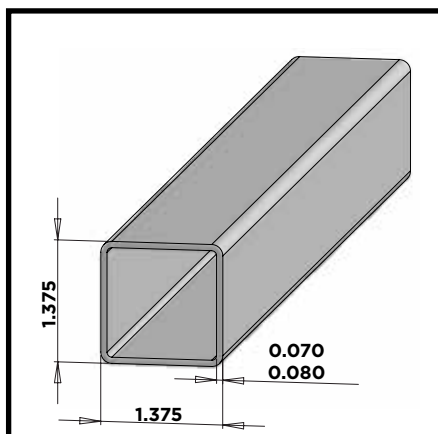


HOMEWOOD OPTION

**1-1/2" X 1-1/2"
STANDARD PICKETS**

HOMEWOOD OPTION F42S ONLY
O=Mocha Walnut, A=Aspen Latte,
I=Chai Gray, U=Green Teak

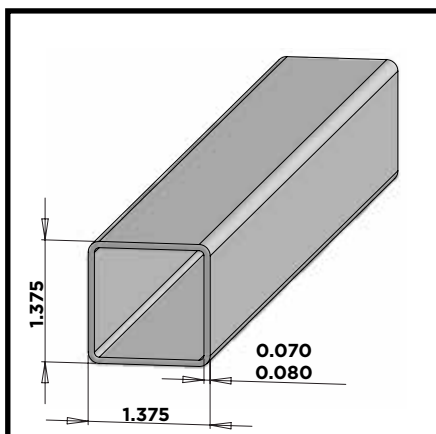
F42S (0.070 Wall)
1-1/2" x 1-1/2" Standard Pickets
Pcs/Pallet: 450 pcs.
AL - 16'



**1-3/8" X 1-3/8"
STANDARD PICKETS**

W=White, T=Tan, D=Adobe

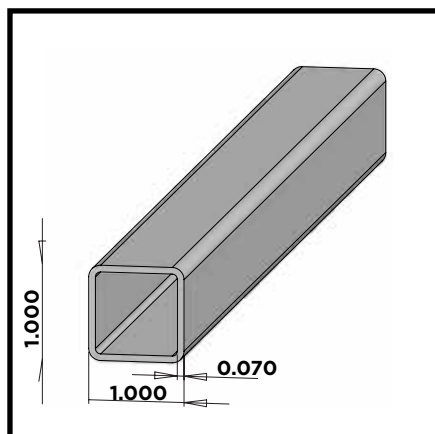
F43C (0.070 Wall)
1-3/8" x 1-3/8" Standard Pickets
Pcs/Pallet: 330 pcs. (Other Sizes 600)
AL - 16' (Stocked in AL)
TN - 31-3/4", 32", 32-1/2", 38",
38-1/2", 16'
UT - 16' (Stocked in UT)



**1-3/8" X 1-3/8"
STANDARD PICKETS**

HOMEWOOD OPTION F43C ONLY
O=Mocha Walnut, A=Aspen Latte,
I=Chai Gray, U=Green Teak

F43C (0.070 Wall)
1-3/8" x 1-3/8" Standard Pickets
Pcs/Pallet: 600 (16', 330 pcs.)
AL - 16'



**1" X 1" STANDARD
PICKETS**

W=White, T=Tan, D=Adobe

F45S (0.070 Wall)
1" x 1" Standard Pickets
Pcs/Pallet: 450
AL - 16'
UT - 16' (Stocked in UT, White and Tan)

Availability and profile dimensions are subject to change without notice. Check with manufacturer before ordering.
All dimensions are subject to manufacturer's tolerances. Gorilla® is a registered trademark of Homeland Vinyl Products, Inc.
*Limited availability, Check with customer service.
**Only runs once or twice yearly.

FENCE/GUARD RAIL SMALL PICKETS

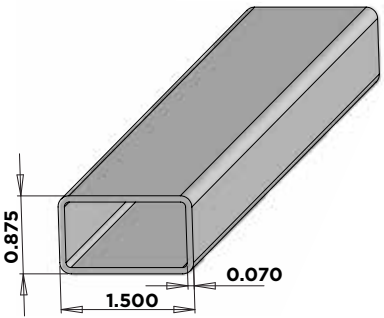


NOT AVAILABLE UNTIL FURTHER NOTICE!

1-1/4" X 1-1/2" STANDARD PICKETS

F47S (0.070 Wall)
1-1/4" x 1-1/2" Standard Pickets
Pcs/Pallet: 510
AL - MTO

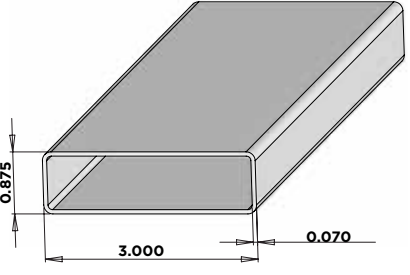
F47S LIMITED AVAILABILITY. RUN ONLY ONCE OR TWICE YEARLY.



7/8" X 1-1/2" STANDARD PICKETS

W=White, T=Tan, D=Adobe

F65S (0.070 Wall)
7/8" x 1-1/2" Standard Pickets
Pcs/Pallet: 942 (16', 402 pcs.)
AL - 32", 16'
NJ - 16' (Stocked in NJ)
UT - 31-3/4", 33", 16' (Stocked in UT)
FL - 16' Stocked in FL)
TN - 32", 16'

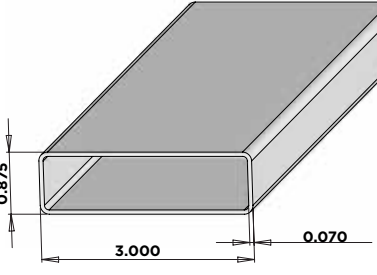


7/8" X 3" STANDARD PICKETS

W=White, T=Tan, D=Adobe, F= Dark Gray

F57C (0.070 Wall)
7/8" X 3" Standard Pickets
Pcs/Pallet: 355
AL - 16' (Stocked in AL)
UT - 16'
TN - 44", 45-7/8", 12', 16'
TX - 16' (Stocked in TX, W & T only)

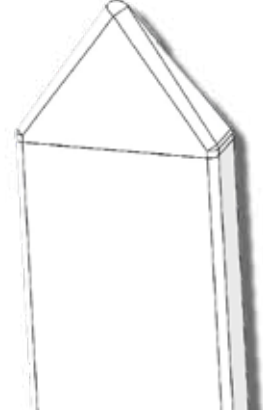
HOMEWOOD OPTION



7/8" X 3" STANDARD PICKETS

HOMEWOOD OPTION F57H ONLY
O=Mocha Walnut, A=Aspen Latte,
I=Chai Gray,, U=Green Teak

F57H (0.080 Wall)
7/8" x 3" Gorilla® Pickets
Pcs/Pallet: 355
AL - 8'

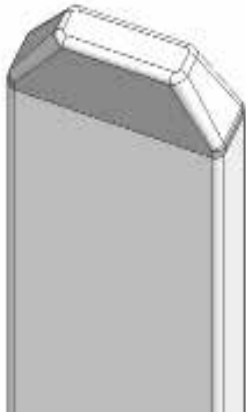


7/8" X 3" SPADE PICKET

W=White, T=Tan, D=Adobe

F57C-SPC
7/8" X 3" Standard Picket
welded to spade cap

Pcs/Pallet: 355
TN - 44" (Extrusion) + Welded Spade Cap
45-7/8" (Extrusion) + Welded Spade Cap
56" (Extrusion) + Welded Spade Cap
68" (Extrusion) + Welded Spade Cap
FL - 45-7/8" (Extrusion) + Welded Spade Cap
(Stocked in FL, White only)



7/8" X 3" DOG EAR PICKET

W=White, T=Tan, D=Adobe

F57C-DEC
7/8" X 3" Standard Picket
welded to dog ear cap

Pcs/Pallet: 355
TN - 44" (Extrusion) + Welded Dog Ear Cap
45-7/8" (Extrusion) + Welded Dog Ear Cap
56" (Extrusion) + Welded Dog Ear Cap
68" (Extrusion) + Welded Dog Ear Cap
FL - 45-7/8" (Extrusion) + Welded Spade Cap
(Stocked in FL, White only)

Availability and profile dimensions are subject to change without notice. Check with manufacturer before ordering.
All dimensions are subject to manufacturer's tolerances.
*Limited availability, Check with customer service.
**Only runs once or twice yearly.

FENCE/GUARD RAIL
SMALL PICKETS



1-1/2" X 1-1/2"
SHARP PICKET

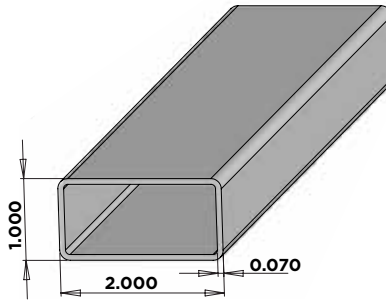
W=White, T=Tan, D=Adobe

F42S-SPD

1-1/2" X 1-1/2" Standard Picket
welded to Sharp Cap

Pcs/Pallet: 900

TN - 44" (Extrusion) + Welded Sharp Cap
45-7/8" (Extrusion) + Welded Sharp Cap
56" (Extrusion) + Welded Sharp Cap
68" (Extrusion) + Welded Sharp Cap



1" X 2" STANDARD
PICKETS

W=White, T=Tan, D=Adobe

F48S (0.070 Wall)

1" x 2" Standard Pickets
Pcs/Pallet: 270
AL - 16'

F48S LIMITED AVAILABILITY.
RUN ONLY ONCE OR TWICE
YEARLY.



1" X 4" UTILITY PICKETS

F49U (0.055 Wall)

1" x 4" Utility Pickets
Pcs/Pallet: 253
AL - MTO

F49U LIMITED AVAILABILITY.
RUN ONLY ONCE OR TWICE
YEARLY.

**NOT
AVAILABLE
UNTIL
FURTHER
NOTICE!**

Availability and profile dimensions are subject to change without notice. Check with manufacturer before ordering.

All dimensions are subject to manufacturer's tolerances.

*Limited availability, Check with customer service.

**Only runs once or twice yearly.

GORILLA® WRAP

Profiles & Accessories



GORILLA® WRAP

8 Piece Gorilla Post Wraps • 4 Piece Gorilla Post Wrap



1-3/4" x 10' GORILLA® POST WRAP CORNER TRIM

W=White, T=Tan, D=Adobe

FMWC
Gorilla® Wrap Corner
AL - 10'



4" x 10' GORILLA® POST WRAP COVERAGE SLAT

W=White, T=Tan, D=Adobe

FMW4
4" Gorilla® Wrap Insert
Covers sides of 3 1/4" to 4 1/4"
AL - 10'



6" x 10' GORILLA® POST WRAP COVERAGE SLAT

W=White, T=Tan, D=Adobe

FMW6
6" Gorilla® Wrap Insert
Covers sides of 5 1/4" to 6 1/4"
AL - 10'



8" x 10' GORILLA® POST WRAP COVERAGE SLAT

W=White, T=Tan, D=Adobe

FMW8
8" Gorilla® Wrap Insert
Covers sides of 7 1/4" to 8 1/4"
AL - 10'



10" x 10' GORILLA® POST WRAP COVERAGE SLAT

W=White, T=Tan, D=Adobe

FMW0
10" Gorilla® Wrap Insert
Covers sides of 9 1/4" to 10 1/4"
AL - 10'



12" x 10' GORILLA® POST WRAP COVERAGE SLAT

W=White, T=Tan, D=Adobe

FMW2
12" Gorilla® Wrap Insert
Covers sides of 11 1/4" to 12 1/4"
AL - 10'



4 PIECE - 4" x 4" X 10' GORILLA® POST WRAP

W=White, T=Tan, D=Adobe

FPW4
4"x4" Gorilla® Wrap
Pcs/Box: 5 posts per box
Bulk: 92 posts per bundle
Length - 10'

- 4 PIECES TO MAKE 1 POST,
- FULL BOX WILL COVER A TOTAL OF (5) POSTS
- COVERS POSTS BETWEEN 3-7/16" - 4-3/8"
- ANY TWIST OR OUT OF SQUARE WILL REDUCE COVERAGE SIZE



4 PIECE - 6" x 6" X 10' GORILLA® POST WRAP

W=White, T=Tan, D=Adobe

FPW6
6"x6" Gorilla® Wrap
Pcs/Box: 4 posts per box
Bulk: 74 posts per bundle
Length - 10'

- 4 PIECES TO MAKE 1 POST,
- FULL BOX WILL COVER A TOTAL OF (4) POSTS
- COVERS POSTS BETWEEN 5-1/8" - 6"
- ANY TWIST OR OUT OF SQUARE WILL REDUCE COVERAGE SIZE

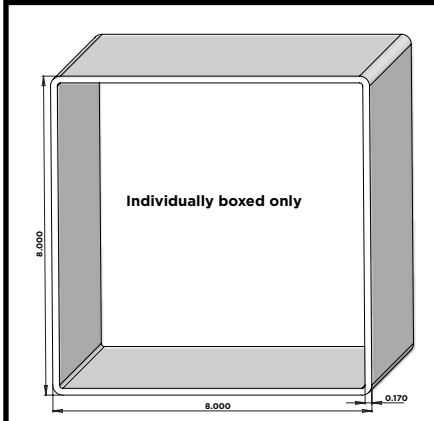
Gorilla® is a registered trademark of Homeland Vinyl Products, Inc.

GORILLA® POSTS & COLUMNS

Profiles



GORILLA® POSTS POSTS

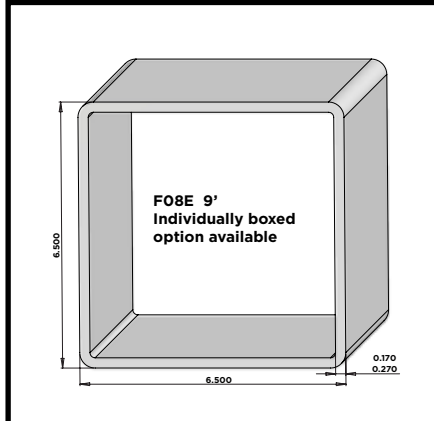


8" X 8" STANDARD POST

W=White, T=Tan, D=Adobe

F06C (0.170 wall)
8" x 8" Standard Post
Pcs/Box: 1
Boxes/Skids: 10
Refer to Commodity Sheet for Box Costs.
SOLD IN SKID BOX QUANTITIES ONLY
AL - 9'

F06C LIMITED AVAILABILITY.
RUN ONLY ONCE OR TWICE
YEARLY.

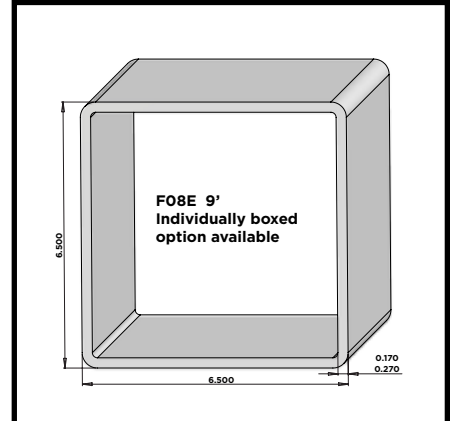


6-1/2" X 6-1/2" POST

W=White, T=Tan, D=Adobe

F08S (0.270 wall) 6-1/2" x 6-1/2"
Gorilla® Post
Pcs/Pallet: 21
AL - 9', 16'

F08S LIMITED AVAILABILITY.
RUN ONLY ONCE OR TWICE
YEARLY.



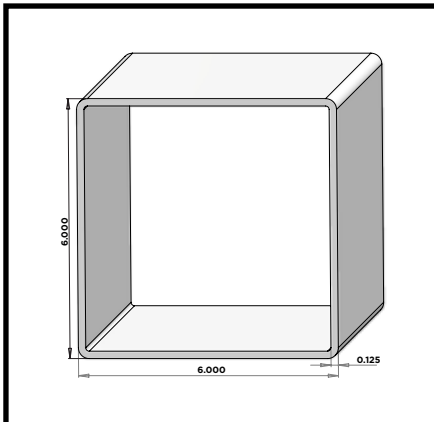
6-1/2" X 6-1/2" GORILLA® POST

W=White, T=Tan, D=Adobe

F08E (0.170 wall) 6-1/2" x 6-1/2" Post
Pcs/Pallet: 49
(24', 21 pcs.)
AL - 9', 10', 12'

F08E LIMITED AVAILABILITY.
RUN ONLY ONCE OR TWICE
YEARLY.

Boxed Option for F08E:
Pcs/Box: 1 Boxes/Skids: 20 Refer to Commodity
Sheet for Box Costs.
SOLD IN SKID QUANTITIES ONLY

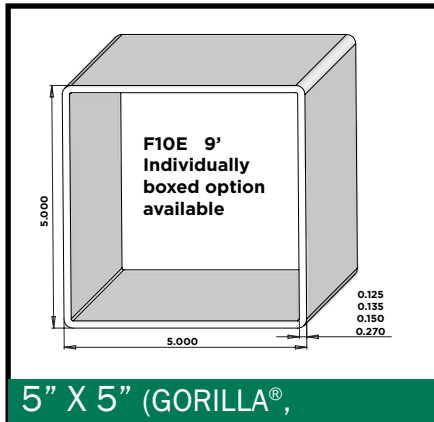


6" X 6" STANDARD POST

W=White, T=Tan, D=Adobe

F09C (0.125 wall)
6" x 6" Standard Post
Pcs/Pallet: 32
AL - 9', 10', 12', 16'

Bagging options available at extra cost for
F09C - 6" x 6" standard post for truckload
quantities from Alabama Location only.



5" X 5" (GORILLA®, STANDARD, UTILITY, RANCH) POST

W=White, T=Tan, D=Adobe, F=Dark Gray

F10K (0.270 wall)
5" x 5" Gorilla® Post
Pcs/Pallet: 36 (16' & Over - 36 pcs)
AL - 9', 16', 24'
NJ - 9' (Stocked in NJ - WHITE)

F10C (0.150 wall)
5" x 5" Standard Post
Pcs/Pallet: 81 (16' & Over - 36 pcs)
AL - 9', 16', 24'
NJ - 9'
UT - 8', 16'
FL - 8', 9'
TX - 6'6", 7', 8', 9', 16' (W & T only)

F10M
5" x 5" Economy Post
(Color Inside) (White Only)
Pcs/Pallet: 81
FL - 8'6", 12' (Blanks Only)

F10E (0.135 wall)
5" x 5" Utility Post
Pcs/Pallet: 81 (16' & Over - 36 pcs)
AL - 7', 8', 8'6", 9', 12',
16', 24'
NJ - 7', 8', 9', 16', 24'
UT - 6', 6'6", 7'6", 8', 9', 16'
FL - 8', 8'6", 9', 12'
TX - 6'6", 7', 8', 9'

Boxed Option for F10E:
Pcs/Box: 1 Boxes/Skids: 20
Refer to Commodity Sheet for Box
Costs.
SOLD IN SKID QUANTITIES ONLY

F10J (0.125 wall)
5" x 5" Utility Ranch Post
(Color Inside)
Pcs/Pallet: 81
AL - 5', 6'6", 7'
UT - 5', 6'6", 7'
TX - 5', 6'6", 7'

Bagging options available for 6"x6", 5"x5", and 4"x4" in truck load quantities. See Made To Order Guidelines.
Availability and profile dimensions are subject to change without notice. Check with manufacturer before ordering.
All dimensions are subject to manufacturer's tolerances. Gorilla® is a registered trademark of Homeland Vinyl Products, Inc.
**Only runs once or twice yearly.

GORILLA® POSTS POSTS

HOMEWOOD OPTION

5" X 5" STANDARD POST

HOMEWOOD OPTION F10C ONLY
O=Mocha Walnut, A=Aspen Latte, I=Chai Gray, U=Green Teak,

F10C (0.150 wall)
5" x 5" Standard Post
Pcs/Pallet: 81 (16' & Over - 36 pcs)
AL - 9', 16'
UT - 8', 16'

4" X 4" (GORILLA®, STANDARD, UTILITY, VALUE) POST

W=White, T=Tan, D=Adobe, F= Dark Gray

F12C (0.165 wall) (No Dark Gray)
4" x 4" Gorilla Post
Pcs/Pallet: 121 (16' & Over - 55 pcs.)
AL - 9', 16', 24'
UT - 39", 45", 16'
TN - 9', 16', 24'

F12N (0.135 wall)
4" x 4" Standard Post
Pcs/Pallet: 121 (16' & Over - 55 pcs.)
AL - 6', 7', 9', 16', 24'
UT - 6', 16'
TN - 6', 7', 9', 16', 24'
TX - 6', 16' (Stocked in TX, W & T only)

F12V (0.100 wall) (No Dark Gray)
4" x 4" Value Post
(Color Inside)
Pcs/Pallet: 121
TN - 39", 48", 8'

F12E (0.115 wall) (No Dark Gray)
4" x 4" Utility Post
Pcs/Pallet: 121 (16' & Over - 55 pcs.)
AL - 39", 42", 48", 6', 7', 8', 98", 9', 10', 16', 24'
TN - 39", 42", 48", 6', 7', 8', 98", 9', 16', 24'
UT - 16'
FL - 6', 7' (Stocked in FL)

Bagging options available at extra cost for F12E - 4" x 4" utility post for truckload quantities.

HOMEWOOD OPTION

4" X 4" STANDARD POST

HOMEWOOD OPTION F12N ONLY
O=Mocha Walnut, A=Aspen Latte, I=Chai Gray, U=Green Teak

F12N (0.135 wall)
4"x4" Standard Post
Pcs/Pallet: 121 (16' & Over - 55 pcs.)
AL - 16'
UT - 16'

3-1/2" X 3-1/2" UTILITY POST

W=White, T=Tan, D=Adobe

F13E (0.110 wall)
3-1/2" x 3-1/2" Utility Post
Pcs/Pallet: 156 (16' & Over - 78 pcs.)
AL - 16'

F13E LIMITED AVAILABILITY. RUN ONLY ONCE OR TWICE YEARLY.

3-1/4" X 3-1/4" STANDARD POST

W=White, T=Tan, D=Adobe

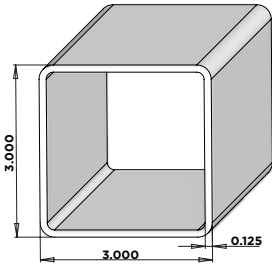
F15S (0.120 wall)
3-1/4" x 3-1/4" Standard Post
Pcs/Pallet: 98
AL - 16'

F15S LIMITED AVAILABILITY. RUN ONLY ONCE OR TWICE YEARLY.

Bagging options available for 6"x6", 5"x5", and 4"x4" in truck load quantities. See Made To Order Guidelines. Availability and profile dimensions are subject to change without notice. Check with manufacturer before ordering. All dimensions are subject to manufacturer's tolerances. Gorilla® is a registered trademark of Homeland Vinyl Products, Inc. **Only runs once or twice yearly.

GORILLA® POSTS

POSTS • COLUMNS

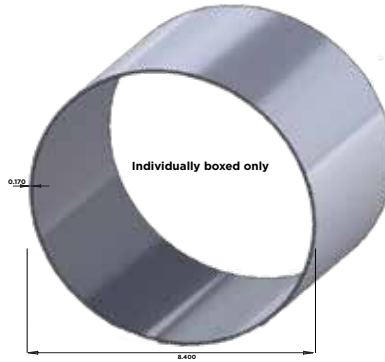


3" X 3" CO-EX STANDARD POST

W=White, T=Tan, D=Adobe

F14C (0.125 wall)
3" x 3" Co-Ex Standard Post
Pcs/Pallet: 120
AL - 16', 24'

**F14C LIMITED AVAILABILITY.
RUN ONLY ONCE OR TWICE
YEARLY.**



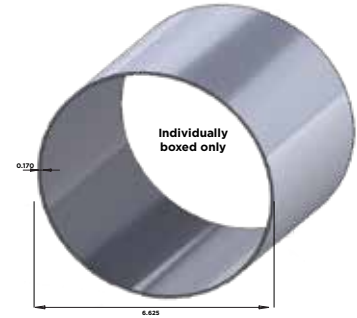
8.40" ROUND COLUMN

W=White, T=Tan, D=Adobe

TD84 (0.170 wall)
8.40" Round Column
Pcs/Box: 1
Boxes/Skid: 10

Refer to Commodity Sheet for box costs.
SOLD IN SKID QUANTITIES ONLY
AL - 9'

**LIMITED AVAILABILITY.
RUN ONLY ONCE OR TWICE
YEARLY.**



6.625" ROUND COLUMN

W=White, T=Tan, D=Adobe

TD64 (0.170 wall)
6.625" Round Column
Pcs/Box: 1
Boxes/Skid: 20

Refer to Commodity Sheet for box costs.
SOLD IN SKID QUANTITIES ONLY
AL - 9'

**LIMITED AVAILABILITY.
RUN ONLY ONCE OR TWICE
YEARLY.**

GORILLA DECK® & GORILLA® WOOD

Profiles & Accessories



DECK

GORILLA DECK®, STARTER, SPLICE TRIM, FINISH TRIM

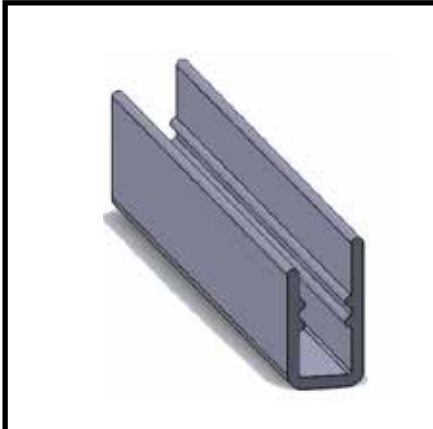


GORILLA DECK® G3
Patent #6,324,796

W=White, D=Adobe, L=Light Gray,
F=Dark Gray, C=Chestnut

F70E
Gorilla Deck® G3

Pcs/Pallet: 49
AL - 12", 16', 20', 24'

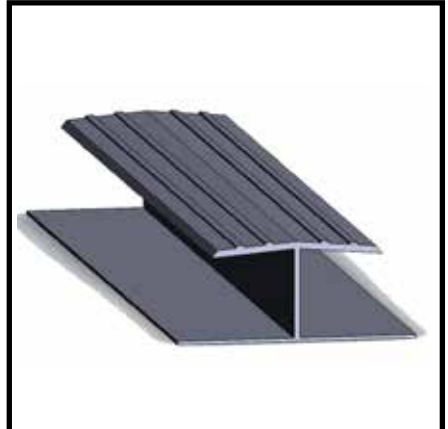


GORILLA DECK® STARTER STRIP

W=White, D=Adobe, L=Light Gray,
F=Dark Gray, C=Chestnut

F73G
Gorilla Deck®
Starter Strip

Pcs/Box: 24
AL - 12'6"



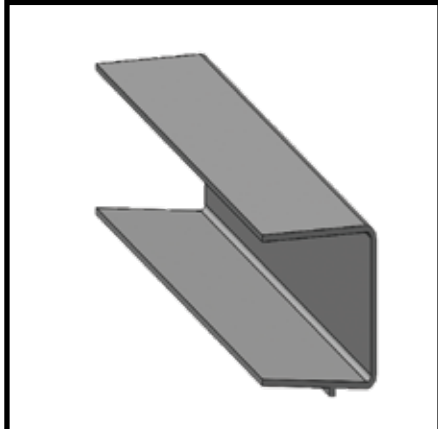
GORILLA DECK® SPLICE TRIM

W=White, D=Adobe, L=Light Gray,
F=Dark Gray, C=Chestnut

F74G
Gorilla Deck®
Splice Trim

Pcs/box: 8
AL - 12'6"

Use with Gorilla Deck only.

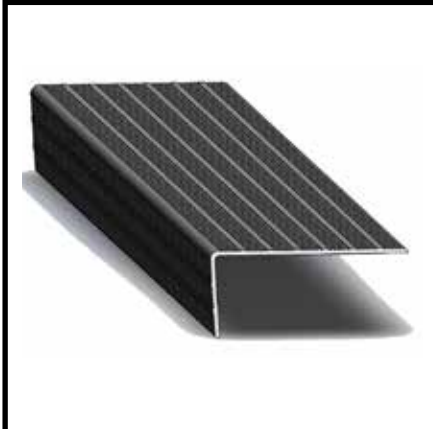


GORILLA DECK® FINISH TRIM

W=White, D=Adobe, L=Light Gray,
F=Dark Gray, C=Chestnut

F75G
Gorilla Deck®
Finish Trim

Pcs/box: 20
AL - 12'6"



GORILLA DECK® FASCIA TRIM

W=White, D=Adobe, L=Light Gray,
F=Dark Gray, C=Chestnut

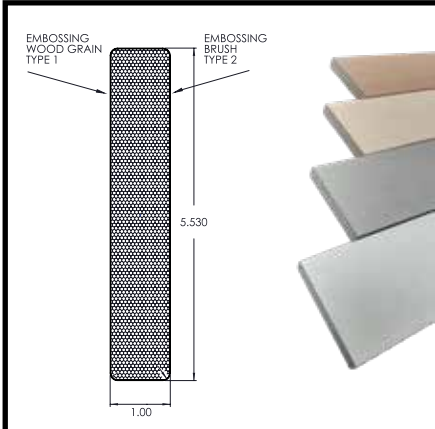
F76G
Gorilla Deck®
Fascia Trim

Pcs/box: 24
AL - 12'6"

Availability and profile dimensions are subject to change without notice. Check with manufacturer before ordering.
All dimensions are subject to manufacturer's tolerances. Gorilla® is a registered trademark of Homeland Vinyl Products, Inc.

DECK

GORILLA WOOD DECK BOARD & FASCIA



GORILLA® WOOD DECK BOARD

W=White, D=Adobe, L=Light Gray,
F=Dark Gray, C=Chestnut

F7A1

Gorilla Wood
1" x 5.5" Deck Board

Pcs/Pallet: 60
TN - 12', 16', 20', 24'



GORILLA® WOOD FASCIA BOARD

W=White, D=Adobe, L=Light Gray,
F=Dark Gray, C=Chestnut

F7A2

Gorilla Wood
Fascia Board

Pcs/Pallet: 40
TN - 12'

Availability and profile dimensions are subject to change without notice. Check with manufacturer before ordering.
All dimensions are subject to manufacturer's tolerances. Gorilla® is a registered trademark of Homeland Vinyl Products, Inc.

MATCH • PERFECT FIT & MATCH • PERFECT FIT & MATCH • PERFECT
CT FIT & MATCH • PERFECT FIT & MATCH • PERFECT FIT & MATCH •
FIT & MATCH • PERFECT FIT & MATCH • PERFECT FIT & MATCH • P
CH • PERFECT FIT & MATCH • PERFECT FIT & MATCH • PERFECT FI
MATCH • PERFECT FIT & MATCH • PERFECT FIT & MATCH • PERFECT
CT FIT & MATCH • PERFECT FIT & MATCH • PERFECT FIT & MATCH •

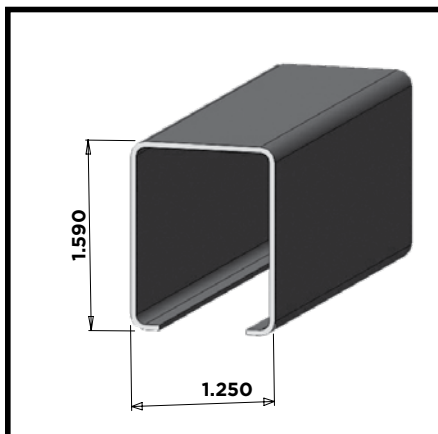
Inserts

MATCH • PERFECT FIT & MATCH • PERFECT FIT & MATCH • PERFECT
CT FIT & MATCH • PERFECT FIT & MATCH • PERFECT FIT & MATCH •
FIT & MATCH • PERFECT FIT & MATCH • PERFECT FIT & MATCH • P
CH • PERFECT FIT & MATCH • PERFECT FIT & MATCH • PERFECT FI
MATCH • PERFECT FIT & MATCH • PERFECT FIT & MATCH • PERFECT
CT FIT & MATCH • PERFECT FIT & MATCH • PERFECT FIT & MATCH •
MATCH • PERFECT FIT & MATCH • PERFECT FIT & MATCH • PERFECT
CT FIT & MATCH • PERFECT FIT & MATCH • PERFECT FIT & MATCH
FIT & MATCH • PERFECT FIT & MATCH • PERFECT FIT & MATCH • P
CH • PERFECT FIT & MATCH • PERFECT FIT & MATCH • PERFECT FI
MATCH • PERFECT FIT & MATCH • PERFECT FIT & MATCH • PERFECT
CT FIT & MATCH • PERFECT FIT & MATCH • PERFECT FIT & MATCH •
MATCH • PERFECT FIT & MATCH • PERFECT FIT & MATCH • PERFECT
CT FIT & MATCH • PERFECT FIT & MATCH • PERFECT FIT & MATCH •
FIT & MATCH • PERFECT FIT & MATCH • PERFECT FIT & MATCH • P
CH • PERFECT FIT & MATCH • PERFECT FIT & MATCH • PERFECT FI
MATCH • PERFECT FIT & MATCH • PERFECT FIT & MATCH • PERFECT
CT FIT & MATCH • PERFECT FIT & MATCH • PERFECT FIT & MATCH •



INSERT STIFFENER

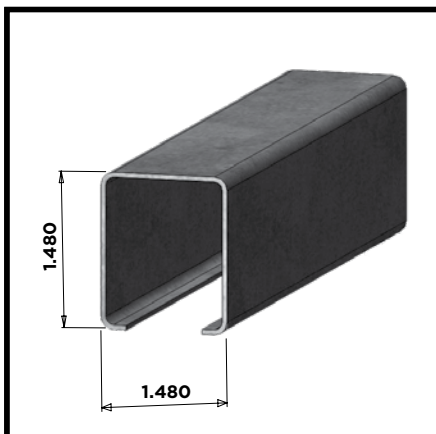
ALUMINUM INSERTS, STEEL INSERTS



**1-1/2" STEEL INSERT -
POCKET RAIL**

G3RFH121-18
1-1/2" Steel Insert - Pocket Rail
18 Gage
300 Pieces Per Bundle
UT- 71" (G3RFH121-18-71)
TX- 93" (G3RFH121-18-93)

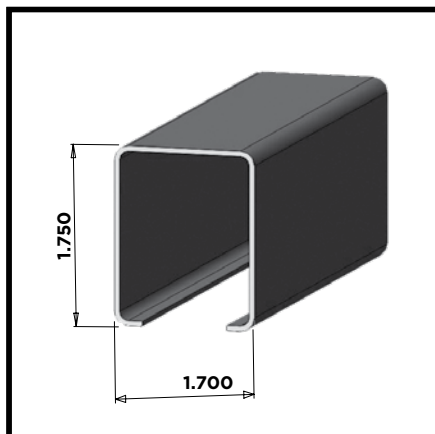
**Used with:
1-1/2" Pocket Rails**



**1-3/4" STEEL INSERT -
POCKET RAIL**

G3RFM147-18
1-3/4" Steel Insert
18 Gage
400 Pieces Per Bundle
AL- 93" (G3RFM147-18-93)
NJ- 93" (G3RFM147-18-93)
FL- 93" (G3RFM147-18-93)

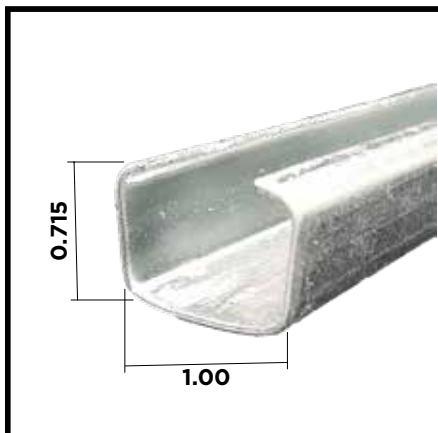
**Used with:
1-3/4" Pocket Rails**



**2" STEEL INSERT -
2" POCKET RAIL**

G3RFH148-18
2" Steel Insert - 2" Rail
18 Gage
400 Pieces Per Bundle
AL- 93" (G3RFH148-18-93)
NJ- 93" (G3RFH148-18-93)
UT- 71" (G3RFH148-18-71)

**Used with:
2" Pocket Rails**



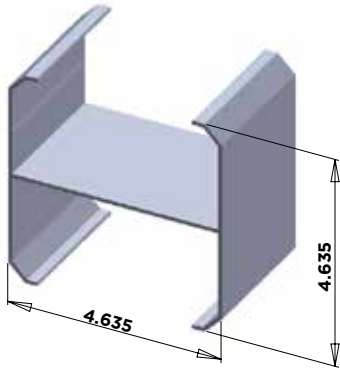
1" STEEL T&G INSERT

G3RFP255U
1" Steel T&G Insert
18 Gage
200 Pieces Per Bundled
AL- 62" (G3RFP255U-62)
68-3/4" (G3RFP255U-68C)
UT- 60" (G3RFP255U-60)
68-3/4" (G3RFP255U-68C)

**Used with:
T & G Pickets**

Availability and profile dimensions are subject to change without notice. Check with manufacturer before ordering.
All dimensions are subject to manufacturer's tolerances.

INSERT STIFFENER ALUMINUM INSERT

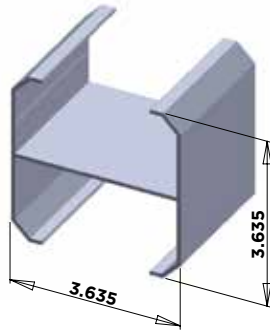


**5" X 5" ALUMINUM
INSERT**

G10HA288-69243
5" x 5"

24' Lengths
Per Piece

**Used with:
5" x 5" post
(Not Gorilla wall post)**

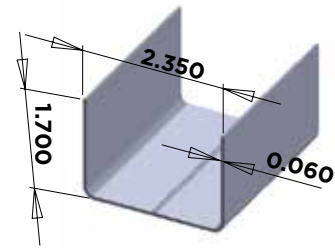


**4" X 4" ALUMINUM
INSERT**

G12HA288-69312
4" x 4"

24' Lengths
Per Piece

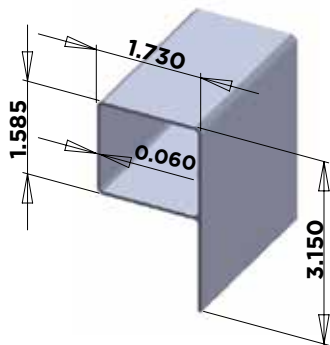
**Used with:
4" x 4" post
(Not Gorilla wall post)**



**2-1/8" X 2-3/4" DOWN
- ALUMINUM INSERT**

G26CH288-69228
2-1/8" x 2-3/4" Down

24' Lengths
Per Piece

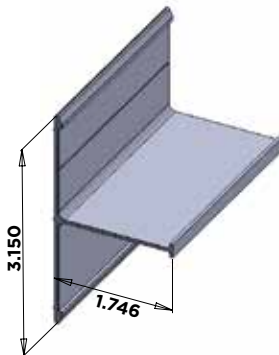


2" X 3-1/2" & T-RAIL

G24PA288-69227
2" x 3-1/2" & T-Rail

24' Lengths
120 Pieces per Bundle

**Used with:
Rectangular Guard Rail
T-Rail, Contour and
Deck-over Guard Rail**

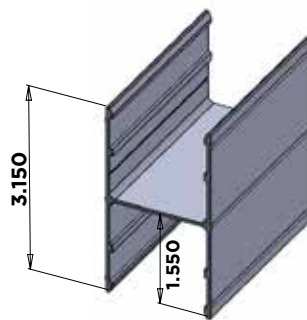


T-BOTTOM RAIL

G24TA096-55028
T-Bottom Rail

72", 96" Lengths
For bottom rail only
120 Pieces per Bundle

**Used with:
Residential Guard Rail
Systems
Bottom Rail Only**



**H-RAIL - ALUMINUM
INSERT**

G24HA096-55026
H-Rail

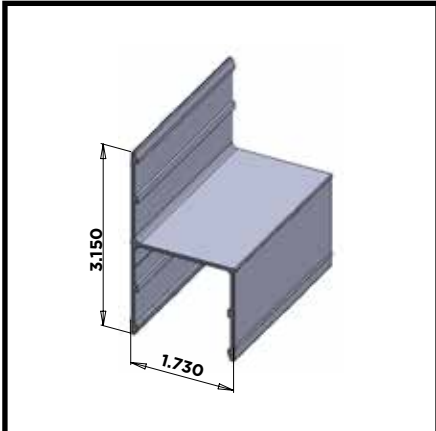
96" Lengths
For top rail only
120 Pieces per Bundle

**Used with:
Residential Guard Rail
T-Rail Only (8' Spans)**

Availability and profile dimensions are subject to change without notice. Check with manufacturer before ordering.
All dimensions are subject to manufacturer's tolerances.

INSERT STIFFENER

ALUMINUM INSERTS, NEXUS®1 & NEXUS® 2

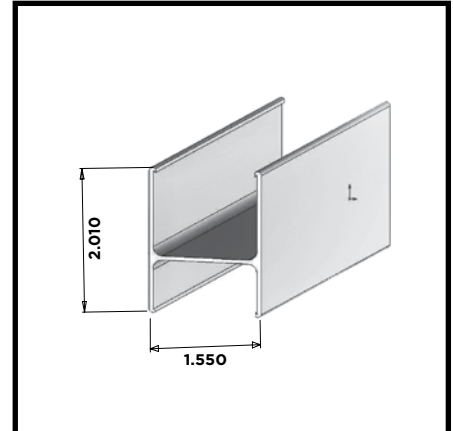


SMALL H - ALUMINUM INSERT

G24hA072-55027
Small h

72" Lengths
For top rail only
120 Pieces per Bundle

Used with:
Most Residential Guard Rail
(6' Spans)
Not Deck-over Guard Rail



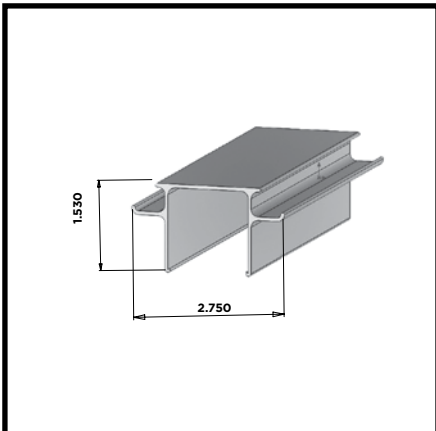
1-3/4" X 2-1/4" NEXUS® BOTTOM ALUMINUM

GMB
1-3/4" x 2-1/4" Nexus® Bottom Aluminum Insert

Pcs/Pallet: 216
AL - 71-3/8", 95-3/8", 119-3/8"

Used with:
Nexus 1 and Nexus 2
Bottom Rail

BOTTOM RAIL



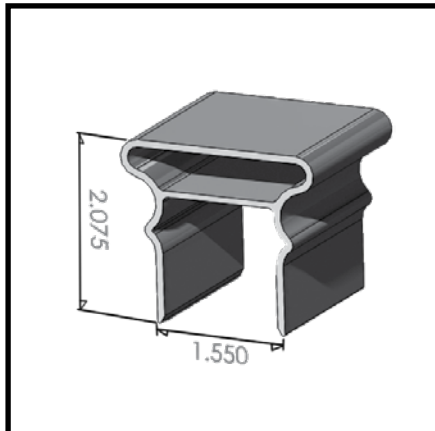
1-3/4" NEXUS® 1 T-RAIL - TOP ALUMINUM INSERT

GMT
1-3/4" Nexus® T-Rail Top Aluminum Insert

Pcs/Pallet: 216
AL - 71-3/8", 95-3/8", 119-3/8"

Used with:
Nexus 1
Top Rail

TOP RAIL



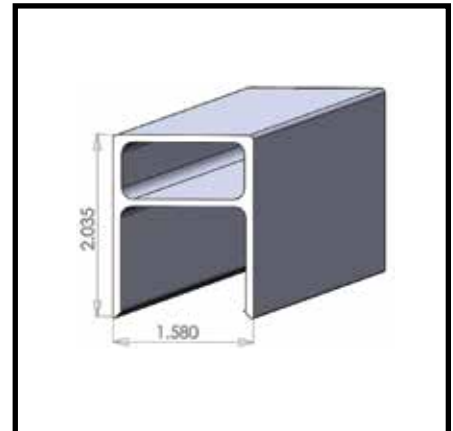
1-3/4" NEXUS® 2 T-RAIL - TOP ALUMINUM INSERT

G42C
1-3/4" Nexus® T-Rail Top Aluminum Insert

Pcs/Pallet: 216
AL - 71-3/8", 95-3/8", 119-3/8"

Used with:
Nexus 2
Top Rail (96" Spans)

TOP RAIL



1-3/4" NEXUS® 2 T-RAIL - ALUMINUM "A" INSERT

GMXZY
1-3/4" Nexus® 2 T-Rail Aluminum "A" Insert

Pcs/Pallet: 216
AL - 71-3/8", 95-3/8", 119-3/8"

TOP RAIL

INDEX

Product and Descriptions	Part #	Page #	Product and Descriptions	Part #	Page #
COLUMNS, GORILLA® COLUMNS - PAGE 28			POCKET RAILS, PRIVACY FENCE - PAGES 7-9		
8.40" Round Column	TD84	28	2" x 8" Nexus® Pocket Rail	F3P8	7
6.625" Round Column	TD64	28	1-1/2" x 8" Gorilla® Pocket Rail	F3P1	7
DECK, GORILLA DECK® - PAGES 29-31			2" x 7" Sun Pocket Rail	FFS7	7
Gorilla Deck® G3	F70E	30	2" x 7" Nexus® Pocket Rail	F3P2	7
Gorilla Deck® Starter Strip	F73G	30	1-3/4" x 7" Nexus® Pocket Rail	F3P7	7
Gorilla Deck® Splice Trim	F74G	30	2" x 7" Gorilla® Pocket Rail	F3BF	7
Gorilla Deck® Finish Trim	F75G	30	1-3/4" x 5-1/2" Nexus® Pocket Rail	F3P5	8
Gorilla Deck® Fascia Trim	F76G	30	1-3/4" x 5-1/2" Nexus® Mid-Rail	F3PM	8
Gorilla® Wood Deck Board	F7A1	31	1-3/4" x 5-1/2" Gorilla® Pocket Rail	F37C	8
Gorilla® Wood Fascia Board	F7A2	31	1-1/2" x 5-1/2" Gorilla® Pocket Rail	F32G	8
FASCIA, GORILLA® POST WRAPS, FOR DECKING - PAGE 23-24			2" x 7" Hometown Pocket Rail	F3HT	9
1-3/4" x 10' Gorilla® Post Wrap			2" x 7" Majestic Pocket Rail	F3MJ	9
Corner Trim	FMWC	24	POSTS, GORILLA® POSTS - PAGES 25-28		
4" x 10' Gorilla® Post Wrap			8" x 8" Standard Post	F06C	26
Coverage Slat	FMW4	24	6-1/2" x 6-1/2" Gorilla® Post	F08S	26
6" x 10' Gorilla® Post Wrap			6-1/2" x 6-1/2" Post	F08E	26
Coverage Slat	FMW6	24	6" x 6" Standard Post	F09C	26
8" x 10' Gorilla® Post Wrap			5" x 5" Gorilla® Post	F10K	26
Coverage Slat	FMW8	24	5" x 5" Standard Post	F10C	26
10" x 10' Gorilla® Post Wrap			5" x 5" Utility Post	F10E	26
Coverage Slat	FMW0	24	5" x 5" Utility Ranch Post	F10J	26
12" x 10' Gorilla® Post Wrap			5" x 5" Economy Post	F10M	26
Coverage Slat	FMW2	24	4" x 4" Gorilla® Post	F12C	27
GATE BRACE, FENCE/SPECIALTY PRODUCT - PAGE 13			4" x 4" Standard Post	F12N	27
Gate Support Brace	F86S	13	4" x 4" Utility Post	F12E	27
GORILLA® FENCE, PRIVACY FENCE - PAGE 15			4" x 4" Value Post	F12V	27
5" x 5" Gorilla® H-Post	FTG1	15	3-1/2" x 3-1/2" Utility Post	F13E	27
1-1/2 Gorilla® Post Insert	FTG2	15	3-1/4" x 3-1/4" Standard Post	F15S	27
1-3/4 Gorilla® Fence U-Channel	FTG3	15	3" x 3" Co-Ex Standard Post	F14C	28
GORILLA® PICKET CHANNEL, FENCE/SPECIALTY PRODUCT - PAGE 13			POST WRAPS - PAGES 23-24		
Gorilla® Picket Channel	FTG4	13	8 PIECE GORILLA® POST WRAPS		
HAND RAILING, GORILLA® GUARD RAIL - PAGES 16-18			1-3/4" x 10' Gorilla® Post Wrap		
2" x 3-1/2" SUMMIT®, T-RAIL, CONTOUR			Corner Trim	FMWC	24
2" x 3-1/2" Hollow Utility Rail	F24E	17	4" x 10' Gorilla® Post Wrap		
2" x 3-1/2" Hollow Standard Rail	F24C	17	Coverage Slat	FMW4	24
3-1/2" Gorilla® T-Rail	F35C	17	6" x 10' Gorilla® Post Wrap		
3" Contour Rail	F36S	17	Coverage Slat	FMW6	24
NEXUS® 1-3/4" x 2-1/4"			8" x 10' Gorilla® Post Wrap		
1-3/4" x 2-1/4" Nexus® Rail	F3PB	18	Coverage Slat	FMW8	24
1-3/4" Nexus®1 T-Rail	F34C	18	10" x 10' Gorilla® Post Wrap		
1-3/4" Nexus®2 T-Rail	F3N2	18	Coverage Slat	FMW0	24
SPECIALTY			12" x 10' Gorilla® Post Wrap		
4-1/2" Gorilla® Rail	FTB	18	Coverage Slat	FMW2	24
Palisade Rail	FHP1	18	4 PIECE GORILLA® POST WRAPS		
INSERTS, ALUMINUM & STEEL STIFFENERS - PAGES 32-35			4" x 4" x 10' Gorilla® Post Wrap -		
5" x 5" Aluminum Insert	G10HA288-69243	34	4 Piece	FPW4	24
4" x 4" Aluminum Insert	G12HA288-69312	34	6" x 6" x 10' Gorilla® Post Wrap -		
2-1/8" x 2-3/4" Down -			4 Piece	FPW6	24
Aluminum Insert	G26CH288-69228	34	PRIVACY PICKETS, PRIVACY FENCE - PAGES 9-10		
2" X 3-1/2" & T-Rail	G24PA288-69227	34	7/8" x 11.3" Gorilla® T&G	F61S	9
1-3/4" x 2-1/4" Nexus® Bottom			7/8" x 11.3" Gorilla® Locking Picket	F61L	9
Aluminum Insert	GMB	35	7/8" x 7" Gorilla® T&G	F62S	9
1-3/4" Nexus®1 T-Rail -			7/8" x 6" Gorilla® T&G	F54G	10
Top Aluminum Insert	GMT	35	7/8" x 6" Homewood® T&G	F54C	10
1-3/4" Nexus®2 T-Rail -			7/8" x 6" Gorilla® Decorative		
Top Aluminum Insert	G42C	35	Locking Picket	F54D	10
1-3/4" Nexus®2 T-Rail -			7/8" x 6" Gorilla® Locking Picket	F54L	10
Aluminum "A" Insert	GMXZY	35	7/8" x 14" Gorilla® Privacy		
T-Bottom Rail Insert	G24TA096-55028	34	No Emboss Panel	F55B	10
H-Rail - Aluminum Insert	G24HA096-55026	34	7/8" x 6" Ribbed Standard	F56R	10
Small H - Aluminum Insert	G24hA072-55027	35	RAILS, FENCE - PAGES 11-12, 17 & 18		
1-1/2" Steel Insert - Pocket Rail	G3RFH121-18	33	2" x 8" Ribbed Rail	F20R	11
1-3/4" Steel Insert	G3RFM147-18	33	2" x 8" Hollow Rail	F20S	11
2" Steel Insert - 2" Rail	G3RFH148-18	33	2" x 6" Hollow Rail	F22E	11
1" Steel T&G Insert	G3RFP255U	33	2" x 6" Ribbed Rail	F22C	11
LATTICE CHANNEL, FENCE/SPECIALTY PRODUCT - PAGE 13			2" x 3-1/2" Hollow Utility Rail	F24E	11
3/4" Lattice Channel	F89S	13	2" x 3-1/2" Hollow Standard Rail	F24C	17
PICKETS, FENCE & GUARD RAILS - PAGES 17-22			2-1/8" x 2-3/4" Standard Rail	F26S	18
1-3/4" x 1-3/4" Standard Pickets	F41S	20	1-1/2" x 5-1/2" Ribbed Utility Rail	F27E	11
1-1/2" x 1-1/2" Standard Pickets	F42S	20	1-1/2" x 5-1/2" Utility Value Rail	F27M	11
1-3/8" x 1-3/8" Standard Pickets	F43C	20	1-1/2" x 5-1/2" Homewood®		
1" x 1" Standard Pickets	F45S	20	Ribbed Rail	F27C	12
1-1/4" x 1-1/2" Standard Pickets	F47S	21	1-3/4" x 3-1/2" Hollow Standard Rail	F25B	12
7/8" x 1-1/2" Standard Pickets	F65S	21	1-1/2" x 2-3/4" Standard Rail	F23S	12
7/8" x 3" Standard Pickets	F57C	21	TRIM CHANNEL, FENCE/SPECIALTY PRODUCT - PAGE 12		
7/8" x 3" Spade Picket	F57C-SPC	21	7/8" Trim Channel	F83U	12
7/8" x 3" Dog Ear Picket	F57C-DEC	21	TUF-FENCE®, PRIVACY FENCE - PAGES 14		
1-1/2" x 1-1/2" Standard Pickets	F42S-SPD	22	Tuf-Fence® H-Post	FT01	14
1" x 2" Standard Pickets	F48S	22	Tuf-Fence® Pocket Rail	FT12	14
1" x 4" Utility Pickets	F49U	22	Tuf-Fence® Lattice Top Rail	FT13	14
2" x 3-1/2" Hollow Utility Rail	F24E	17	Tuf-Fence® Mid-Rail	FT11	14
2" x 3-1/2" Hollow Standard Rail	F24C	17	Tuf-Fence® H-Post Insert for		
2-1/8" x 2-3/4" Standard Rail	F26S	18	H-Post	FT02	14
U-CHANNEL, FENCE/SPECIALTY PRODUCT - PAGE 12			Tuf-Fence® U-Channel (Long Leg)	FT03	14
7/8" U-Channel Standard	F83S	12			